

HDC 10A ALU SL

Weidmüller Interface GmbH & Co. KG

Klingenbergstraße 26

D-32758 Detmold

Germany

www.weidmueller.com



The special die-cast alloy and the multi-layered surface sealing provide complete protection for the HDC housings.

The cleverly designed interlock system is manufactured from stainless steel. This guarantees a long lifespan with high resistance to corrosion and impact.

The housing interlock system provides integrated safety. Our unique, patented spring system provides the housing interlock with a secure grip and prevents accidental opening.

The laser marking allows for easy and quick identification. Each housing is permanently labelled with a laser marking so that each product can be quickly designated and positioned.

Weidmüller RockStar® IP 65 / NEMA Type 4X housings - your first choice for industrial housings with IP 65 protection.

General ordering data

Version	HDC enclosures, Installation size: 2, Protection degree: IP65, in plugged condition, Bulkhead housing, End-locking clamp, lower side, Standard, Size of cable entries: none
Order No.	1021450000
Type	HDC 10A ALU SL
GTIN (EAN)	4032248734962
Qty.	1 items

HDC 10A ALU SL

Weidmüller Interface GmbH & Co. KG
 Klingenbergstraße 26
 D-32758 Detmold
 Germany

www.weidmueller.com

Technical data

Approvals

Approvals



ROHS Conform

Dimensions and weights

Depth	84 mm	Depth (inches)	3.3071 inch
Height	26 mm	Height (inches)	1.0236 inch
Width	52.5 mm	Width (inches)	2.0669 inch
Mounting dimension - height	17.5 mm	Mounting dimension - width	70 mm
Net weight	69 g		

Temperatures

Limit temperature -40 °C ... 125 °C

Environmental Product Compliance

RoHS Compliance Status Compliant without exemption

REACH SVHC No SVHC above 0.1 wt%

Chemical resistance	Substance	Acetone
	Chemical resistance	Conditionally resistant
	Substance	Drilling oil
	Chemical resistance	Resistant
	Substance	Diesel
	Chemical resistance	Resistant
	Substance	Ethyl alcohol
	Chemical resistance	Resistant
	Substance	Transmission oil
	Chemical resistance	Resistant
	Substance	Hydraulic oil
	Chemical resistance	Resistant
	Substance	Coolant
	Chemical resistance	Resistant
	Substance	Petroleum benzine
	Chemical resistance	Resistant
	Substance	Sweat
	Chemical resistance	Resistant
	Substance	Premium gasoline
	Chemical resistance	Conditionally resistant
Substance	Water	
Chemical resistance	Resistant	
Substance	UV	
Chemical resistance	Unstable	
Substance	Ozone	
Chemical resistance	Unstable	

Dimensions

Hole pitch length A2	70 mm	Cable entry	No
Width housing C	29.5 mm	Width base C1	33 mm
Total length housing	63 mm	Height of housing B	26 mm
Height of base B1	5 mm		

HDC 10A ALU SL

Weidmüller Interface GmbH & Co. KG
 Klingenbergstraße 26
 D-32758 Detmold
 Germany

www.weidmueller.com

Technical data

General data

Surface finish	Powder coating	Protection degree	IP65, in plugged condition
----------------	----------------	-------------------	----------------------------

Version

Number of cable glands	0	Size of cable entries	none
Top part/bottom part/lid	lower part	Cover	without cover
Tightening torque	0.5 Nm	Number of cable entry sideways	0
Design of housing	Bulkhead housing	Design of locking system	End-locking clamp, lower side
Design	Standard	Installation size	2
Cable entry	No	Type	Bulkhead (feed-through)
Clamp version	End-locking clamp	Sealing	NBR
Colour (RAL)	RAL 7035	BG	2
Suitable for ModuPlug®	No		

Important note

Product information	When mounting the housings, make sure that the flat gasket is correctly seated.
---------------------	---

Classifications

ETIM 8.0	EC000437	ETIM 9.0	EC000437
ETIM 10.0	EC000437	ECLASS 14.0	27-44-02-02
ECLASS 15.0	27-44-02-02		

HDC 10A ALU SL

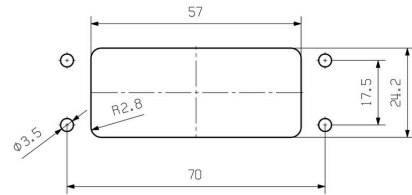
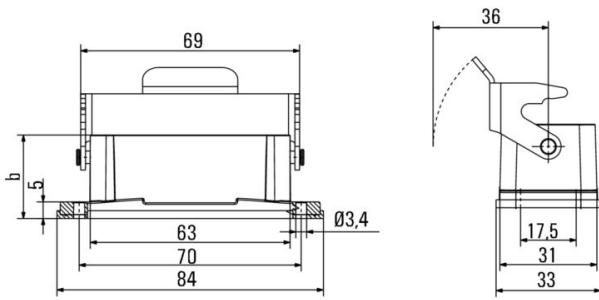
Weidmüller Interface GmbH & Co. KG
Klingenbergstraße 26
D-32758 Detmold
Germany

Drawings

www.weidmueller.com

Drawing

mounting cutout



HDC 10A ALU SL

Weidmüller Interface GmbH & Co. KG
 Klingenbergstraße 26
 D-32758 Detmold
 Germany

www.weidmueller.com

Accessories

Cover



The special die-cast alloy and the multi-layered surface sealing provide complete protection for the HDC housings.

The cleverly designed interlock system is manufactured from stainless steel. This guarantees a long lifespan with high resistance to corrosion and impact.

The housing interlock system provides integrated safety. Our unique, patented spring system provides the housing interlock with a secure grip and prevents accidental opening.

The laser marking allows for easy and quick identification. Each housing is permanently labelled with a laser marking so that each product can be quickly designated and positioned.

Weidmüller RockStar® IP 65 / NEMA Type 4X housings - your first choice for industrial housings with IP 65 protection.

General ordering data

Type	HDC 10A DMDL 2B0	Version	
Order No.	1665880000		
GTIN (EAN)	4008190422912		
Qty.	1 ST		