

IE-BI-USB-A

Weidmüller Interface GmbH & Co. KG
Klingenbergstraße 26
D-32758 Detmold
Germany

www.weidmueller.com



USB inserts for FrontCom®

General ordering data

Version	USB insert, Flange insert, type A
Order No.	1019570000
Type	IE-BI-USB-A
GTIN (EAN)	4032248731602
Qty.	1 items

IE-BI-USB-A

Weidmüller Interface GmbH & Co. KG

Klingenbergstraße 26

D-32758 Detmold

Germany

www.weidmueller.com

Technical data

Approvals

Approvals



ROHS Conform

UL File Number Search [UL Website](#)

Certificate no. (cULus) E471884

Dimensions and weights

Net weight 11 g

Temperatures

Storage temperature	Operating temperature	-40 °C...70 °C
Installation temperature	Humidity	0...93 % rel. humidity

Environmental Product Compliance

RoHS Compliance Status Compliant without exemption

REACH SVHC No SVHC above 0.1 wt%

General data

Product type	USB insert	Protection degree	IP67 with housing
Insert type	Insert data SteadyTec		

General Info

Connection 1	USB A	Connection 2	USB A
Description of article	Flange insert, type A	Wiring	Type A
Colour	black	Humidity	0...93 % rel. humidity
Housing main material	PC UL 94 V0	Shielding	360°; all-round enclosure
Protection degree	IP67 with housing	Plugging cycles	≥ 1500

Electrical properties

Contact resistance	≤ 30 mΩ	Dielectric strength, contact / shield	≥ 500 V DC
Insulation resistance	≥ 1000 MΩ	Current-carrying capacity up to 90 °C	3 A

General standards

Certificate No. (DNV)	TAA000022B	Connector standard	IEC 61076-3-107
Certificate no. (cULus)	E471884		

Important note

Product information USB inserts for FrontCom®

Classifications

ETIM 8.0	EC001121	ETIM 9.0	EC001121
ETIM 10.0	EC001121	ECLASS 14.0	27-44-03-90
ECLASS 15.0	27-44-03-90		

Creation date 18.02.2026 01:29:54 MEZ

Catalogue status / Drawings

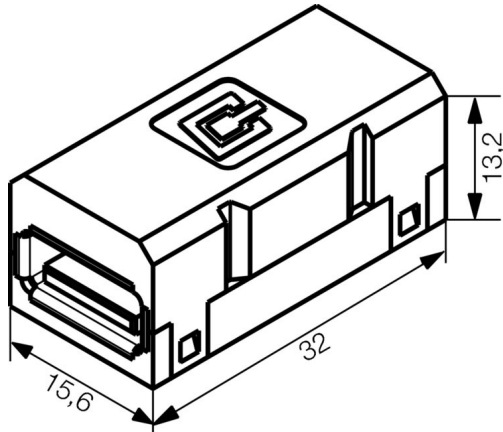
IE-BI-USB-A

Weidmüller Interface GmbH & Co. KG
Klingenbergstraße 26
D-32758 Detmold
Germany

Drawings

www.weidmueller.com

Dimensioned drawing



IE-BI-USB-A

Weidmüller Interface GmbH & Co. KG
Klingenbergstraße 26
D-32758 Detmold
Germany

www.weidmueller.com

Accessories

Cable-lug sleeves



Insulated tab-connector sleeves made from PVC with copper sleeve

- Commercially available designs
- Not soldered
- With conical entry funnel

General ordering data

Type	LIF 1,5F288 R	Version	
Order No.	9200520000		
GTIN (EAN)	4032248410361		
Qty.	100 ST		
			cable lug, terminal end,Insulated cable connector,1.5 mm ² ,0.5 mm ² - 1.5 mm ² ,red