

IE-FCM-RJ45-FJ-P

Weidmüller Interface GmbH & Co. KG
Klingenbergstraße 26
D-32758 Detmold
Germany

www.weidmueller.com



Service interface FrontCom® Micro with RJ45 in IP65

General ordering data

Version	FrontCom Micro RJ45 module, PROFINET
Order No.	1018830000
Type	IE-FCM-RJ45-FJ-P
GTIN (EAN)	4032248730087
Qty.	10 items

IE-FCM-RJ45-FJ-P

Weidmüller Interface GmbH & Co. KG

Klingenbergstraße 26

D-32758 Detmold

Germany

www.weidmueller.com

Technical data

Approvals

Approvals



ROHS Conform

UL File Number Search [UL Website](#)

Certificate no. (cULus) E316369

Dimensions and weights

Depth	42.9 mm	Depth (inches)	1.689 inch
Height	44 mm	Height (inches)	1.7323 inch
Width	29.5 mm	Width (inches)	1.1614 inch
Wall thickness, min.	1 mm	Wall thickness, max.	5 mm
Net weight	28.95 g		

Temperatures

Storage temperature	Operating temperature	-40 °C...70 °C
Installation temperature		

Environmental Product Compliance

RoHS Compliance Status	Compliant without exemption
REACH SVHC	No SVHC above 0.1 wt%

General data

Tightening torque fixing nut	2.0 Nm	Connection 1	RJ45
Connection 2	IDC	Description of article	FrontCom Micro RJ45 module
Wiring	PROFINET	Colour	black
Housing main material	PA UL 94 V0	Insulation cross-section, max.	1.6 mm
Category	Cat.5 (ISO/IEC 11801)	Contact surface	Gold over nickel
Connection diameter, solid	0.4...0.64 mm	Conductor connection cross-section, solid (AWG)	AWG 24...AWG 22
Connection diameter, flexible	0.48...0.76 mm	Conductor connection cross-section, flexible (AWG)	AWG 26...AWG 22
Sheath diameter, min.	5.5 mm	Sheath diameter, max.	10 mm
Type of mounting	Cabinet, Distribution box	Shielding	360°; shield contact
Protection degree	IP65, in closed state	Plugging cycles	750

Electrical properties

Dielectric strength, contact / shield	≥ 1500 V AC/DC	Dielectric strength, contact / contact	≥ 1000 V AC/DC
PoE / PoE+	conforming to IEEE 802.3bt		

General standards

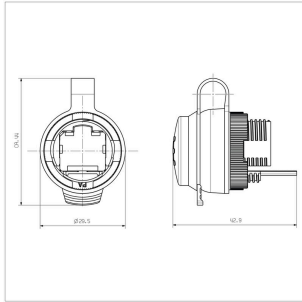
Connector standard	IEC 60603-7-51	Certificate no. (cULus)	E316369
--------------------	----------------	-------------------------	---------

Technical data

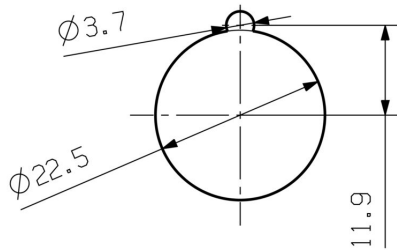
Classifications

ETIM 8.0	EC001031	ETIM 9.0	EC001031
ETIM 10.0	EC001031	ECLASS 14.0	27-18-28-92
ECLASS 15.0	27-18-28-92		

Dimensioned drawing



Installation cut-out



IE-FCM-RJ45-FJ-P

Weidmüller Interface GmbH & Co. KG
 Klingenbergstraße 26
 D-32758 Detmold
 Germany

www.weidmueller.com

Accessories

IE fastening tool



The mounting tool helps you to tighten the locknut when mounting the flange of version 04.

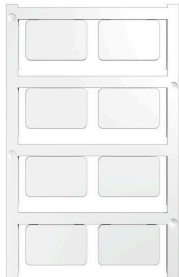
Comments:

- Standard tool
- made from tough plastic

General ordering data

Type	IE-FISP-V4	Version	
Order No.	9204370000	Mounting tool	
GTIN (EAN)	4032248660780		
Qty.	2 ST		

Blank



SM is a MultiCard marker for labelling control and signalling devices. The tags are clipped into the carriers or attached by means of the adhesive film already fitted to them. Customised tags can be created with the PrintJet CONNECT or Plotter marking systems.

- Users can quickly produce tags to suit their needs
- No need to stock expensive standard tags
- Highly resistant printing quality when using the PrintJet as a substitute for engraving
- For extreme demands, we recommend the ETO SM protective film
- Holders can be used for the 22-mm or 30-mm-diameter push-buttons from Siemens, ABB, Moeller and Télémécanique

For custom printing: Please send us a file of our labeling software M-Print PRO or M-Print PRO Online (without installation) for your labeling specifications.

General ordering data

Type	SM 27/18 MC NE WS	Version	
Order No.	1699860000	SwitchMark, Device markers, 18 x 27 mm, SwitchMark holder, white	
GTIN (EAN)	4008190892302		
Qty.	80 ST		

IE-FCM-RJ45-FJ-P

Weidmüller Interface GmbH & Co. KG

Klingenbergstraße 26

D-32758 Detmold

Germany

www.weidmueller.com

Accessories

Complementary products



SM is a MultiCard marker for labelling control and signalling devices. The tags are clipped into the carriers or attached by means of the adhesive film already fitted to them. Customised tags can be created with the PrintJet CONNECT or Plotter marking systems.

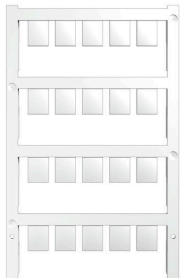
- Users can quickly produce tags to suit their needs
- No need to stock expensive standard tags
- Highly resistant printing quality when using the PrintJet as a substitute for engraving
- For extreme demands, we recommend the ETO SM protective film
- Holders can be used for the 22-mm or 30-mm-diameter push-buttons from Siemens, ABB, Moeller and Télémécanique

For custom printing: Please send us a file of our labeling software M-Print PRO or M-Print PRO Online (without installation) for your labeling specifications.

General ordering data

Type	SM-H 27/18 SW	Version	
Order No.	1716630000	SwitchMark, Accessories, 48 x 27 mm, black	
GTIN (EAN)	4008190343194		
Qty.	25 ST		

Blank



ESG is the tried-and-tested marker in MultiCard format for use on many well-known electrical devices. The result is high-quality device marking with a high-contrast appearance.

Various types are available for devices from manufacturers like Siemens, ABB, Beckhoff etc.

Advantages at a glance:

- Tags for universal usage, self-adhesive or clip-on tags, depending on type
- For aligned equipment, e.g. circuit breakers, we supply ESG markers for clipping onto tag rails
- Individual laser-quality printing according to specifications

For custom printing: Please send us a file of our labeling software M-Print PRO or M-Print PRO Online (without installation) for your labeling specifications.

General ordering data

Type	ESG 9/11 K MC NE WS	Version	
Order No.	1857440000	ESG, Device markers x 11 mm, PA 66, Colour: white, Self-adhesive	
GTIN (EAN)	4032248402731		
Qty.	200 ST		

IE-FCM-RJ45-FJ-P

Weidmüller Interface GmbH & Co. KG
 Klingenbergstraße 26
 D-32758 Detmold
 Germany

www.weidmueller.com

Accessories

straight

Assembled IE cables, patch cable Cabinet Line, Cat. 6, LSZH, grey



General ordering data

Type	IE-C6FP8LD0010M40M40-D	Version	
Order No.	1165940010		Patch cable, RJ45 IP 20, RJ45 IP 20, <20 m: Cat.6A / >20 m Class
GTIN (EAN)	4032248956098		EA (ISO/IEC 11801 2010), LSZH, 1 m
Qty.	1 ST		

Cable-lug sleeves

Insulated tab-connector sleeves made from PVC with copper sleeve

- Commercially available designs
- Not soldered
- With conical entry funnel



General ordering data

Type	LIF 1,5F288 R	Version	
Order No.	9200520000		cable lug, terminal end, Insulated cable connector, 1.5 mm ² , 0.5 mm ² -
GTIN (EAN)	4032248410361		1.5 mm ² , red
Qty.	100 ST		