

IE-FCM-RJ45-FJ-P

Weidmüller Interface GmbH & Co. KG
Klingenbergstraße 26
D-32758 Detmold
Germany

www.weidmueller.com



Service interface FrontCom® Micro with RJ45 in IP65

General ordering data

Version	FrontCom Micro RJ45 module, PROFINET
Order No.	1018830000
Type	IE-FCM-RJ45-FJ-P
GTIN (EAN)	4032248730087
Qty.	10 items

IE-FCM-RJ45-FJ-P

Weidmüller Interface GmbH & Co. KG

Klingenbergstraße 26

D-32758 Detmold

Germany

www.weidmueller.com

Technical data

Approvals

Approvals



ROHS Conform

UL File Number Search [UL Website](#)

Certificate no. (cULus) E316369

Dimensions and weights

Depth	42.9 mm	Depth (inches)	1.689 inch
Height	44 mm	Height (inches)	1.7323 inch
Width	29.5 mm	Width (inches)	1.1614 inch
Wall thickness, min.	1 mm	Wall thickness, max.	5 mm
Net weight	28.95 g		

Temperatures

Storage temperature	Operating temperature	-40 °C...70 °C
Installation temperature		

Environmental Product Compliance

RoHS Compliance Status	Compliant without exemption
REACH SVHC	No SVHC above 0.1 wt%

General data

Tightening torque fixing nut	2.0 Nm	Connection 1	RJ45
Connection 2	IDC	Description of article	FrontCom Micro RJ45 module
Wiring	PROFINET	Colour	black
Housing main material	PA UL 94 V0	Insulation cross-section, max.	1.6 mm
Category	Cat.5 (ISO/IEC 11801)	Contact surface	Gold over nickel
Connection diameter, solid	0.4...0.64 mm	Conductor connection cross-section, solid (AWG)	AWG 24...AWG 22
Connection diameter, flexible	0.48...0.76 mm	Conductor connection cross-section, flexible (AWG)	AWG 26...AWG 22
Sheath diameter, min.	5.5 mm	Sheath diameter, max.	10 mm
Type of mounting	Cabinet, Distribution box	Shielding	360°; shield contact
Protection degree	IP65, in closed state	Plugging cycles	750

Electrical properties

Dielectric strength, contact / shield	≥ 1500 V AC/DC	Dielectric strength, contact / contact	≥ 1000 V AC/DC
PoE / PoE+	conforming to IEEE 802.3bt		

General standards

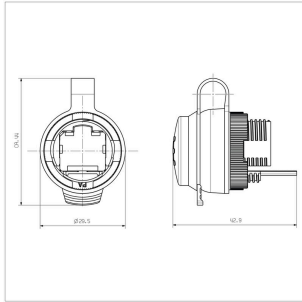
Connector standard	IEC 60603-7-51	Certificate no. (cULus)	E316369
--------------------	----------------	-------------------------	---------

Technical data

Classifications

ETIM 8.0	EC001031	ETIM 9.0	EC001031
ETIM 10.0	EC001031	ECLASS 14.0	27-18-28-92
ECLASS 15.0	27-18-28-92		

Dimensioned drawing



Installation cut-out

