

## IE-FCM-RJ45-FJ-B

**Weidmüller Interface GmbH & Co. KG**  
Klingenbergstraße 26  
D-32758 Detmold  
Germany

[www.weidmueller.com](http://www.weidmueller.com)



Service interface FrontCom® Micro with RJ45 in IP65

### General ordering data

|            |   |
|------------|---|
| Version    | FrontCom Micro RJ45 module, TIA-568A,<br>TIA-568B |
| Order No.  | <a href="#">1018820000</a>                        |
| Type       | IE-FCM-RJ45-FJ-B                                  |
| GTIN (EAN) | 4032248730070                                     |
| Qty.       | 10 items  |

## IE-FCM-RJ45-FJ-B

Weidmüller Interface GmbH &amp; Co. KG

Klingenbergstraße 26  
D-32758 Detmold  
Germany

www.weidmueller.com

## Technical data

## Approvals

Approvals



|                         |                            |
|-------------------------|----------------------------|
| ROHS                    | Conform                    |
| UL File Number Search   | <a href="#">UL Website</a> |
| Certificate no. (cULus) | E316369                    |

## Dimensions and weights

|                      |         |                      |             |
|----------------------|---------|----------------------|-------------|
| Depth                | 42.9 mm | Depth (inches)       | 1.689 inch  |
| Height               | 44 mm   | Height (inches)      | 1.7323 inch |
| Width                | 29.5 mm | Width (inches)       | 1.1614 inch |
| Wall thickness, min. | 1 mm    | Wall thickness, max. | 5 mm        |
| Net weight           | 28.88 g |                      |             |

## Temperatures

|                          |                       |                |
|--------------------------|-----------------------|----------------|
| Storage temperature      | Operating temperature | -40 °C...70 °C |
| Installation temperature |                       |                |

## Environmental Product Compliance

|                        |                             |
|------------------------|-----------------------------|
| RoHS Compliance Status | Compliant without exemption |
| REACH SVHC             | No SVHC above 0.1 wt%       |

## General data

|                               |  |  |                            |
|-------------------------------|--|--|----------------------------|
| Tightening torque fixing nut  | 2.0 Nm                                 | Connection 1                                       | RJ45                       |
| Connection 2                  | IDC                                    | Description of article                             | FrontCom Micro RJ45 module |
| Wiring                        | TIA-568A, TIA-568B                     | Colour   | black                      |
| Housing main material         | PA UL 94 V0                            | Insulation cross-section, max.                     | 1.6 mm                     |
| Category                      | Cat.6A / Class EA (ISO/IEC 11801 2010) | Contact surface                                    | Gold over nickel           |
| Connection diameter, solid    | 0.4...0.64 mm                          | Conductor connection cross-section, solid (AWG)    | AWG 24...AWG 22            |
| Connection diameter, flexible | 0.48...0.76 mm                         | Conductor connection cross-section, flexible (AWG) | AWG 26...AWG 22            |
| Sheath diameter, min.         | 5.5 mm                                 | Sheath diameter, max.                              | 10 mm                      |
| Type of mounting              | Cabinet, Distribution box              | Shielding  | 360&deg; shield contact    |
| Protection degree             | IP65, in closed state                  | Plugging cycles                                    | 750                        |

## Electrical properties

|  |   |  |                |
|--|---|--|----------------|
| Dielectric strength, contact / shield PoE / PoE+ | ≥ 1500 V AC/DC conforming to IEEE 802.3bt | Dielectric strength, contact / contact | ≥ 1000 V AC/DC |
|--|---|--|----------------|

## General standards

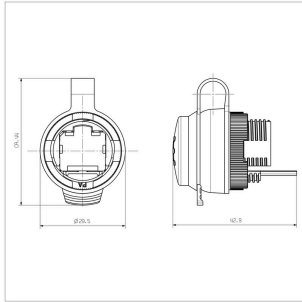
|                    |                 |                         |         |
|--------------------|-----------------|-------------------------|---------|
| Connector standard | IEC 60603-7-5 1 | Certificate no. (cULus) | E316369 |
|--------------------|-----------------|-------------------------|---------|

## Technical data

### Classifications

|             |             |             |             |
|-------------|-------------|-------------|-------------|
| ETIM 8.0    | EC001031    | ETIM 9.0    | EC001031    |
| ETIM 10.0   | EC001031    | ECLASS 14.0 | 27-18-28-92 |
| ECLASS 15.0 | 27-18-28-92 |             |             |

**Dimensioned drawing**



**Installation cut-out**

