

IE-FCM-RJ45-C

Weidmüller Interface GmbH & Co. KG
Klingenbergstraße 26
D-32758 Detmold
Germany

www.weidmueller.com



Service interface FrontCom® Micro with RJ45 in IP65

General ordering data

| | |
|------------|------------------------------|
| Version | FrontCom Micro RJ45 coupling |
| Order No. | 1018790000 |
| Type | IE-FCM-RJ45-C |
| GTIN (EAN) | 4032248730056 |
| Qty. | 10 items |

IE-FCM-RJ45-C

Weidmüller Interface GmbH & Co. KG

Klingenbergstraße 26

D-32758 Detmold

Germany

www.weidmueller.com

Technical data

Approvals

Approvals



ROHS Conform

UL File Number Search [UL Website](#)

Certificate no. (cULus) E316369

Dimensions and weights

| | | | |
|----------------------|---------|----------------------|-------------|
| Depth | 42.9 mm | Depth (inches) | 1.689 inch |
| Height | 44 mm | Height (inches) | 1.7323 inch |
| Width | 29.5 mm | Width (inches) | 1.1614 inch |
| Wall thickness, min. | 1 mm | Wall thickness, max. | 5 mm |
| Net weight | 25 g | | |

Temperatures

| | | |
|--------------------------|-----------------------|----------------|
| Storage temperature | Operating temperature | -40 °C...70 °C |
| Installation temperature | | |

Environmental Product Compliance

| | |
|------------------------|-----------------------------|
| RoHS Compliance Status | Compliant without exemption |
| REACH SVHC | No SVHC above 0.1 wt% |

General data

| | | | |
|------------------------------|--|------------------------|------------------------------|
| Tightening torque fixing nut | 2.0 Nm | Connection 1 | RJ45 |
| Connection 2 | RJ45 | Description of article | FrontCom Micro RJ45 coupling |
| Colour | black | Housing main material | PA UL 94 V0 |
| Category | Cat.6A / Class EA (ISO/IEC 11801 2010) | Contact surface | Gold over nickel |
| Type of mounting | Cabinet, Distribution box | Shielding | 360°; shield contact |
| Protection degree | IP65, in closed state | Plugging cycles | 750 (RJ45) |

Electrical properties

| | | | |
|---------------------------------------|----------------------------|--|----------------|
| Dielectric strength, contact / shield | ≥ 1500 V AC/DC | Dielectric strength, contact / contact | ≥ 1000 V AC/DC |
| PoE / PoE+ | conforming to IEEE 802.3af | | |

General standards

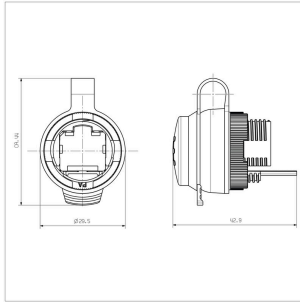
| | | | |
|--------------------|----------------|-------------------------|---------|
| Connector standard | IEC 60603-7-51 | Certificate no. (cULus) | E316369 |
|--------------------|----------------|-------------------------|---------|

Classifications

| | | | |
|-------------|-------------|-------------|-------------|
| ETIM 8.0 | EC001031 | ETIM 9.0 | EC001031 |
| ETIM 10.0 | EC001031 | ECLASS 14.0 | 27-18-28-92 |
| ECLASS 15.0 | 27-18-28-92 | | |

Drawings

Dimensioned drawing



Installation cut-out



IE-FCM-RJ45-C

Weidmüller Interface GmbH & Co. KG

Klingenbergstraße 26

D-32758 Detmold

Germany

www.weidmueller.com

Accessories

IE fastening tool



The mounting tool helps you to tighten the locknut when mounting the flange of version 04.

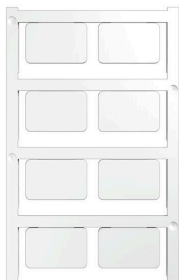
Comments:

- Standard tool
- made from tough plastic

General ordering data

| | | | |
|------------|----------------------------|---------------|--|
| Type | IE-FISP-V4 | Version | |
| Order No. | 9204370000 | Mounting tool | |
| GTIN (EAN) | 4032248660780 | | |
| Qty. | 2 ST | | |

Blank



SM is a MultiCard marker for labelling control and signalling devices. The tags are clipped into the carriers or attached by means of the adhesive film already fitted to them. Customised tags can be created with the PrintJet CONNECT or Plotter marking systems.

- Users can quickly produce tags to suit their needs
- No need to stock expensive standard tags
- Highly resistant printing quality when using the PrintJet as a substitute for engraving
- For extreme demands, we recommend the ETO SM protective film
- Holders can be used for the 22-mm or 30-mm-diameter push-buttons from Siemens, ABB, Moeller and Télémécanique

For custom printing: Please send us a file of our labeling software M-Print PRO or M-Print PRO Online (without installation) for your labeling specifications.

General ordering data

| | | | |
|------------|----------------------------|--|--|
| Type | SM 27/18 MC NE WS | Version | |
| Order No. | 1699860000 | SwitchMark, Device markers, 18 x 27 mm, SwitchMark holder, white | |
| GTIN (EAN) | 4008190892302 | | |
| Qty. | 80 ST | | |

Accessories

Complementary products



SM is a MultiCard marker for labelling control and signalling devices. The tags are clipped into the carriers or attached by means of the adhesive film already fitted to them. Customised tags can be created with the PrintJet CONNECT or Plotter marking systems.

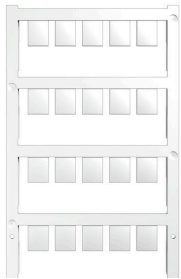
- Users can quickly produce tags to suit their needs
- No need to stock expensive standard tags
- Highly resistant printing quality when using the PrintJet as a substitute for engraving
- For extreme demands, we recommend the ETO SM protective film
- Holders can be used for the 22-mm or 30-mm-diameter push-buttons from Siemens, ABB, Moeller and Télémécanique

For custom printing: Please send us a file of our labeling software M-Print PRO or M-Print PRO Online (without installation) for your labeling specifications.

General ordering data

| | | | |
|------------|----------------------------|--|--|
| Type | SM-H 27/18 SW | Version | |
| Order No. | 1716630000 | SwitchMark, Accessories, 48 x 27 mm, black | |
| GTIN (EAN) | 4008190343194 | | |
| Qty. | 25 ST | | |

Blank



ESG is the tried-and-tested marker in MultiCard format for use on many well-known electrical devices. The result is high-quality device marking with a high-contrast appearance.

Various types are available for devices from manufacturers like Siemens, ABB, Beckhoff etc.

Advantages at a glance:

- Tags for universal usage, self-adhesive or clip-on tags, depending on type
- For aligned equipment, e.g. circuit breakers, we supply ESG markers for clipping onto tag rails
- Individual laser-quality printing according to specifications

For custom printing: Please send us a file of our labeling software M-Print PRO or M-Print PRO Online (without installation) for your labeling specifications.

General ordering data

| | | | |
|------------|----------------------------|--|--|
| Type | ESG 9/11 K MC NE WS | Version | |
| Order No. | 1857440000 | ESG, Device markers x 11 mm, PA 66, Colour: white, Self-adhesive | |
| GTIN (EAN) | 4032248402731 | | |
| Qty. | 200 ST | | |

IE-FCM-RJ45-C

Weidmüller Interface GmbH & Co. KG
 Klingenbergstraße 26
 D-32758 Detmold
 Germany

www.weidmueller.com

Accessories

straight

Assembled IE cables, patch cable Cabinet Line, Cat. 6,
 LSZH, grey



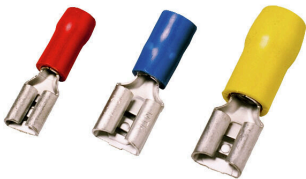
General ordering data

| | | | |
|------------|----------------------------|--|--|
| Type | IE-C6FP8LD0010M40M40-D | Version | |
| Order No. | 1165940010 | Patch cable, RJ45 IP 20, RJ45 IP 20, <20 m: Cat.6A / >20 m Class | |
| GTIN (EAN) | 4032248956098 | EA (ISO/IEC 11801 2010), LSZH, 1 m | |
| Qty. | 1 ST | | |

Cable-lug sleeves

Insulated tab-connector sleeves made from PVC with
 copper sleeve

- Commercially available designs
- Not soldered
- With conical entry funnel



General ordering data

| | | | |
|------------|----------------------------|---|--|
| Type | LIF 1,5F288 R | Version | |
| Order No. | 9200520000 | cable lug, terminal end, Insulated cable connector, 1.5 mm ² , 0.5 mm ² - | |
| GTIN (EAN) | 4032248410361 | 1.5 mm ² , red | |
| Qty. | 100 ST | | |