

**IE-FCM-RJ45-C**

**Weidmüller Interface GmbH & Co. KG**  
Klingenbergstraße 26  
D-32758 Detmold  
Germany

www.weidmueller.com



Service interface FrontCom® Micro with RJ45 in IP65

**General ordering data**

Version	FrontCom Micro RJ45 coupling
Order No.	<a href="#">1018790000</a>
Type	IE-FCM-RJ45-C
GTIN (EAN)	4032248730056
Qty.	10 items

## IE-FCM-RJ45-C

Weidmüller Interface GmbH &amp; Co. KG

Klingenbergstraße 26

D-32758 Detmold

Germany

www.weidmueller.com

## Technical data

## Approvals

Approvals



ROHS Conform

UL File Number Search [UL Website](#)

Certificate no. (cULus) E316369

## Dimensions and weights

Depth	42.9 mm	Depth (inches)	1.689 inch
Height	44 mm	Height (inches)	1.7323 inch
Width	29.5 mm	Width (inches)	1.1614 inch
Wall thickness, min.	1 mm	Wall thickness, max.	5 mm
Net weight	25 g		

## Temperatures

Storage temperature	Operating temperature	-40 °C...70 °C
Installation temperature		

## Environmental Product Compliance

RoHS Compliance Status	Compliant without exemption
REACH SVHC	No SVHC above 0.1 wt%

## General data

Tightening torque fixing nut	2.0 Nm	Connection 1	RJ45
Connection 2	RJ45	Description of article	FrontCom Micro RJ45 coupling
Colour	black	Housing main material	PA UL 94 V0
Category	Cat.6A / Class EA (ISO/IEC 11801 2010)	Contact surface	Gold over nickel
Type of mounting	Cabinet, Distribution box	Shielding	360°; shield contact
Protection degree	IP65, in closed state	Plugging cycles	750 (RJ45)

## Electrical properties

Dielectric strength, contact / shield	≥ 1500 V AC/DC	Dielectric strength, contact / contact	≥ 1000 V AC/DC
PoE / PoE+	conforming to IEEE 802.3af		

## General standards

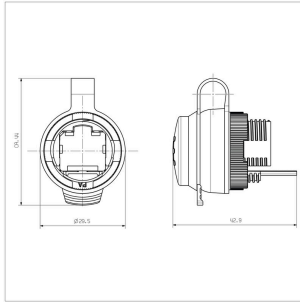
Connector standard	IEC 60603-7-51	Certificate no. (cULus)	E316369
--------------------	----------------	-------------------------	---------

## Classifications

ETIM 8.0	EC001031	ETIM 9.0	EC001031
ETIM 10.0	EC001031	ECLASS 14.0	27-18-28-92
ECLASS 15.0	27-18-28-92		

Drawings

Dimensioned drawing



Installation cut-out

