

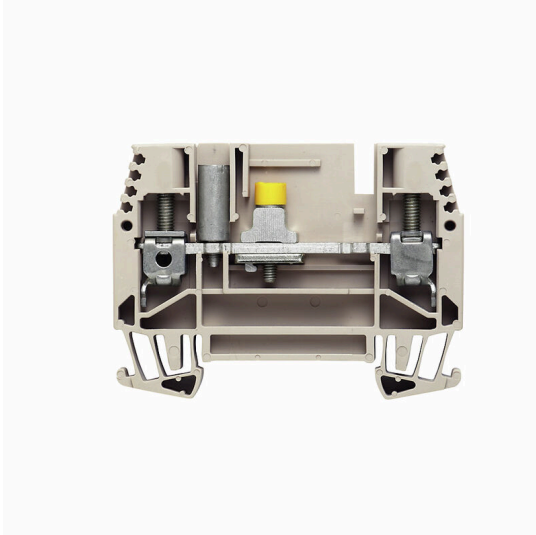
WTQ 6/1/STB**Weidmüller Interface GmbH & Co. KG**

Klingenbergstraße 26

D-32758 Detmold

Germany

www.weidmueller.com

Product image**Current and voltage transformer wiring**

Our test disconnect terminal blocks featuring spring and screw connection technology allow you to create all the important converter circuits for measuring current, voltage and power in a safe and sophisticated way.

General ordering data

Version	Measuring transformer disconnect terminal, Screw connection, 41, 2
Order No.	1018100000
Type	WTQ 6/1/STB
GTIN (EAN)	4008190061432
Qty.	50 items

Technical data

Approvals

Approvals



ROHS Conform

UL File Number Search [UL Website](#)

Certificate No. (UR) E60693

Dimensions and weights

Depth	47.5 mm	Depth (inches)	1.8701 inch
Height	65 mm	Height (inches)	2.5591 inch
Width	7.9 mm	Width (inches)	0.311 inch
Net weight	22.54 g		

Temperatures

Storage temperature	-25 °C...55 °C	Ambient temperature	-5 °C...40 °C
Continuous operating temp., min.	-50 °C	Continuous operating temp., max.	120 °C

Environmental Product Compliance

RoHS Compliance Status	Compliant with exemption
RoHS Exemption (if applicable/known)	6c
REACH SVHC	Lead 7439-92-1
SCIP	0eb7d846-d0a1-43e5-93a4-d7c6856c4cda

Material data

Basic material	Wemid	Colour	dark beige
UL 94 flammability rating	V-0		

System specifications

Version	Screw connection, Spacer, With sockets, for plug-in cross-connector, One end without connector	End cover plate required	Yes
Number of potentials	1	Number of levels	1
Number of clamping points per level	2	Number of potentials per tier	1
PE connection	No	Mounting rail	TS 35
N-function	No	PE function	No
PEN function	No		

Additional technical data

Open sides	closed	Number of similar terminals	1
Explosion-tested version	No	Type of mounting	Snap-on

CSA rating data

Wire cross section max. (CSA)	8 AWG	Voltage size C (CSA)	300 V
Current size C (CSA)	50 A	Certificate No. (CSA)	200039-1057876
Wire cross section min. (CSA)	20 AWG		

WTQ 6/1/STB

Weidmüller Interface GmbH & Co. KG

Klingenbergstraße 26
D-32758 Detmold
Germany

www.weidmueller.com

Technical data

Conductors for clamping (rated connection)

Gauge to IEC 60947-1	A5	Wire connection cross section AWG, max.	AWG 8
Connection direction	on side	Tightening torque, max.	1.6 Nm
Tightening torque, min.	1 Nm	Stripping length	12 mm
Type of connection	Screw connection	Number of connections	2
Clamping range, max.	10 mm ²	Clamping range, min.	0.5 mm ²
Clamping screw	M 3.5	Blade size	0.8 x 4.0 mm
Wire connection cross section AWG, min.	AWG 20	Wire connection cross-section, finely stranded with wire-end ferrules DIN 46228/4, max.	6 mm ²
Wire connection cross-section, finely stranded with wire-end ferrules DIN 46228/4, min.	0.5 mm ²	Wire connection cross-section, finely stranded with wire-end ferrules DIN 46228/1, max.	6 mm ²
Wire connection cross-section, finely stranded with wire-end ferrules DIN 46228/1, min.	0.5 mm ²	Wire connection cross section, finely stranded, max.	10 mm ²
Wire connection cross section, finely stranded, min.	0.5 mm ²	Connection cross-section, stranded, max.	10 mm ²
Connection cross-section, stranded, min.	1.5 mm ²	Torque level with DMS electric screwdriver	3
Wire connection cross-section, solid core, max.	10 mm ²	Wire connection cross-section, solid core, min.	0.5 mm ²

General

Wire connection cross section AWG, max.	AWG 8	Wire connection cross section AWG, min.	AWG 20
Mounting rail	TS 35		

Rating data

Rated cross-section	6 mm ²	Rated voltage	500 V
Rated DC voltage	500 V	Nominal current	41 A
Current at maximum wires	57 A	Volume resistance according to IEC 60947-7-x	0.78 mΩ
Rated impulse withstand voltage	6 kV	Power loss in accordance with IEC 60947-7-x	1.31 W
Pollution severity	3		

UL rating data

Conductor size Factory wiring max. (UR)	8 AWG	Current size C (UR)	45 A
Voltage size C (UR)	300 V	Conductor size Factory wiring min. (UR)	20 AWG
Certificate No. (UR)	E60693	Conductor size Field wiring min. (UR)	20 AWG
Conductor size Field wiring max. (UR)	8 AWG		

Classifications

ETIM 8.0	EC000902	ETIM 9.0	EC000902
ETIM 10.0	EC000902	ECLASS 14.0	27-25-01-09
ECLASS 15.0	27-25-01-09		

Drawings



Accessories

Cross-connections



The distribution or multiplication of a potential to adjoining terminal blocks is realized via a cross-connection. Additional wiring effort can be easily avoided. Even if the poles are broken out, contact reliability in the terminal blocks is still ensured. Our portfolio offers pluggable and screwable cross-connection systems for modular terminal blocks.

General ordering data

Type	WQV 6/2	Version
Order No.	1052360000	Cross-connector (terminal), when screwed in, yellow, 57 A, Number of poles: 2, Pitch in mm (P): 8.00, Insulated: Yes, Width: 7.6 mm
GTIN (EAN)	4008190075866	
Qty.	50 ST	
Type	WQV 6/3	Version
Order No.	1054760000	Cross-connector (terminal), when screwed in, yellow, 57 A, Number of poles: 3, Pitch in mm (P): 8.00, Insulated: Yes, Width: 7.6 mm
GTIN (EAN)	4008190174163	
Qty.	50 ST	
Type	WQV 6/4	Version
Order No.	1054860000	Cross-connector (terminal), when screwed in, yellow, 57 A, Number of poles: 4, Pitch in mm (P): 8.00, Insulated: Yes, Width: 7.6 mm
GTIN (EAN)	4008190180799	
Qty.	50 ST	
Type	WQV 6/10	Version
Order No.	1052260000	Cross-connector (terminal), when screwed in, yellow, 57 A, Number of poles: 10, Pitch in mm (P): 8.00, Insulated: Yes, Width: 7.6 mm
GTIN (EAN)	4008190153977	
Qty.	20 ST	

End plates and partition plates



Partition plates and end plates are essential accessories for terminal blocks. Partition plates provide optical and electrical separation of different potentials and functional groups, increasing safety and ensuring a clear structure inside the control cabinet. End plates close the terminal block row on the sides, protect against contact with live parts, and ensure a clean, stable finish. Both components are precisely matched to the respective Weidmüller terminal block series, contributing to safe, compliant, and professional wiring.

General ordering data

Type	WAP WTL6/1 EN	Version
Order No.	1957710000	End plate for terminals, dark beige, Height: 65 mm, Width: 1.5 mm,
GTIN (EAN)	4032248654024	V-0, Wemid, Snap-on: Yes
Qty.	20 ST	

WTQ 6/1/STB

Weidmüller Interface GmbH & Co. KG

Klingenbergstraße 26

D-32758 Detmold

Germany

Accessories

www.weidmueller.com

Accessorie



Current and voltage transformer wiring
Our test disconnect terminal blocks featuring spring and screw connection technology allow you to create all the important converter circuits for measuring current, voltage and power in a safe and sophisticated way.

General ordering data

Type	WTW WTL6/1 DB	Version	
Order No.	1068400000	Partition plate (terminal), dark beige, Height: 65 mm, Width: 1.5 mm,	
GTIN (EAN)	4008190091996	V-0, Wemid	
Qty.	20 ST		

Cross-connections



The distribution or multiplication of a potential to adjoining terminal blocks is realized via a cross-connection. Additional wiring effort can be easily avoided. Even if the poles are broken out, contact reliability in the terminal blocks is still ensured. Our portfolio offers pluggable and screwable cross-connection systems for modular terminal blocks.

General ordering data

Type	WKB 1/2	Version	
Order No.	1604280000	Cross-connector (terminal), when screwed in, orange, 41 A, Number of poles: 2, Pitch in mm (P): 8.00, Insulated: Yes, Width: 14.1 mm	
GTIN (EAN)	4008190165338		
Qty.	50 ST		
Type	WKB 1/3	Version	
Order No.	1604300000	Cross-connector (terminal), when screwed in, orange, 41 A, Number of poles: 3, Pitch in mm (P): 8.00, Insulated: Yes, Width: 22 mm	
GTIN (EAN)	4008190010225		
Qty.	50 ST		
Type	WKB 1/4	Version	
Order No.	1604320000	Cross-connector (terminal), when screwed in, orange, 41 A, Number of poles: 4, Pitch in mm (P): 8.00, Insulated: Yes, Width: 29.9 mm	
GTIN (EAN)	4008190023713		
Qty.	50 ST		
Type	VH 16.1/5/3.4	Version	
Order No.	0309700000	Connecting sleeve (terminal), when screwed in, Width: 5 mm, Height: 5 mm, Depth: 16.1 mm, Number of poles: 1, Cu Zn	
GTIN (EAN)	4008190037024		
Qty.	50 ST		

WTQ 6/1/STB

Weidmüller Interface GmbH & Co. KG
 Klingenbergstraße 26
 D-32758 Detmold
 Germany

www.weidmueller.com

Accessories

Testadapter and testsockets



Test adapters and test plugs are used for the electrical connection between terminal blocks and the test equipment. In this way, an electrical contact can be established in the wired state and measurements can be done easily.

General ordering data

Type	STB 21.6/45 GE	Version
Order No.	1936240000	Socket (terminal), Plug-in depth: 11.1 mm, 0.00 mm, Depth: 45 mm
GTIN (EAN)	4032248605972	
Qty.	50 ST	
Type	STB 21.6/45 BL	Version
Order No.	1936290000	Socket (terminal), Plug-in depth: 11.1 mm, 0.00 mm, Depth: 45 mm
GTIN (EAN)	4032248606023	
Qty.	50 ST	

Accessorie



Current and voltage transformer wiring
 Our test disconnect terminal blocks featuring spring and screw connection technology allow you to create all the important converter circuits for measuring current, voltage and power in a safe and sophisticated way.

General ordering data

Type	STB 21.6/45 DB	Version
Order No.	1938790000	Socket (terminal), Plug-in depth: 11.1 mm, 0.00 mm, Depth: 45 mm
GTIN (EAN)	4032248612840	
Qty.	50 ST	
Type	STB 21.6/45 GN	Version
Order No.	1936250000	Socket (terminal), Plug-in depth: 11.1 mm, 0.00 mm, Depth: 45 mm
GTIN (EAN)	4032248605989	
Qty.	50 ST	

WTQ 6/1/STB

Weidmüller Interface GmbH & Co. KG
 Klingenbergstraße 26
 D-32758 Detmold
 Germany

www.weidmueller.com

Accessories

Testadapter and testsockets



Test adapters and test plugs are used for the electrical connection between terminal blocks and the test equipment. In this way, an electrical contact can be established in the wired state and measurements can be done easily.

General ordering data

Type	STB 21.6/45 GR	Version
Order No.	1936280000	Socket (terminal), Plug-in depth: 11.1 mm, 0.00 mm, Depth: 45 mm
GTIN (EAN)	4032248606016	
Qty.	50 ST	
Type	STB 21.6/45 RT	Version
Order No.	1936300000	Socket (terminal), Plug-in depth: 11.1 mm, 0.00 mm, Depth: 45 mm
GTIN (EAN)	4032248606030	
Qty.	50 ST	

Accessorie



Current and voltage transformer wiring
 Our test disconnect terminal blocks featuring spring and screw connection technology allow you to create all the important converter circuits for measuring current, voltage and power in a safe and sophisticated way.

General ordering data

Type	STB 21.6/45 SW	Version
Order No.	1936270000	Socket (terminal), Plug-in depth: 11.1 mm, 0.00 mm, Depth: 45 mm
GTIN (EAN)	4032248606009	
Qty.	50 ST	
Type	STB 21.6/45 VI	Version
Order No.	1936260000	Socket (terminal), Plug-in depth: 11.1 mm, 0.00 mm, Depth: 45 mm
GTIN (EAN)	4032248605996	
Qty.	50 ST	

Blank



The Dekafix (DEK) marker is the universal marker for all conductor and plug-in connectors as well as for electronic sub-assemblies. The system is ideal for short number sequences and covers a wide range of ready-printed markers.

Strips for fast installation in only one work step. The printing is easy to read, rich in contrast and available in various widths.

- Large range of ready-to-use markers
 - Strips for fast installation
 - Terminal markers, suitable for all Weidmüller cable connectors
 - Available as blank MultiCard or with standard printing
- For custom printing: Please send us a file of our labeling software M-Print PRO or M-Print PRO Online (without installation) for your labeling specifications.

General ordering data

Type	DEK 5/8 MC NE WS	Version
Order No.	1856740000	Dekafix, Terminal marker, 5 x 8 mm, Pitch in mm (P): 8.00
GTIN (EAN)	4032248400850	Weidmueller, white
Qty.	800 ST	
Type	WS 12/8 PLUS MC NE WS	Version
Order No.	1906000000	WS, Terminal marker, 12 x 8 mm, Pitch in mm (P): 8.00 Weidmueller,
GTIN (EAN)	4032248528158	white
Qty.	420 ST	

ZGB pivotable group tag holder



The ZGB 15 is a hinged group tag carrier. The tag carrier can hold the dekafix 5, WS 12/5 terminal markers or the inlay tag ESO 15.

The ZGB 30 is a hinged group tag carrier. The tag carrier can hold the dekafix 5, WS 12/5 terminal markers or the inlay tag ESO 7.

Inlay tags and protective strips can be found under "Accessories".

General ordering data

Type	ZGB 15	Version
Order No.	1636530000	Terminal markers, Terminal marker, 15 x 7 mm, Pitch in mm (P): 5.00
GTIN (EAN)	4008190297053	Weidmueller, white
Qty.	20 ST	
Type	ZGB 30	Version
Order No.	1611930000	Terminal markers, Terminal marker, 32 x 7 mm, Pitch in mm (P): 5.00
GTIN (EAN)	4008190002251	Weidmueller, white
Qty.	20 ST	

Accessories

Marker holder



The marker holder offer the possibility of additional mounting of standard markers with a pitch of 5 or 5.1 mm. The angled holders can be optionally snapped together and could be mounted in all standard marking channels of the Klippon® Connect modular terminal blocks. Fitting marker types could be found under the respective accessories of the designation marking holder.

General ordering data

Type	BZT 1 WS 10/5	Version
Order No.	1805490000	Accessories, Marker holder
GTIN (EAN)	4032248270231	
Qty.	100 ST	

Type	BZT 1 ZA WS 10/5	Version
Order No.	1805520000	Accessories, Marker holder
GTIN (EAN)	4032248270248	
Qty.	100 ST	

DEK 5/8



WS/ DEK

MultiMark terminal markers use an innovative composite material made from two components. The hard base contour of the marker snaps securely into the connector. The elastic surface finish makes the marker easy to mount. This specially punched material enables the strips to be stretched to accommodate the slight variations in spacing that tend to add up, especially with long terminal blocks. Another advantage: the excellent printability of the surface material guarantees durable and wear-resistant labelling. A print resolution of 300 dpi also produces a very legible script.

Your benefits with MultiMark

- Firm hold and durable printing
- Continuous strips save installation time
- Easy mounting thanks to an innovative composite material
- Large label field for optimal legibility
- High flexibility thanks to manufacturer independence

General ordering data

Type	DEK 5/8 MM WS	Version
Order No.	2007130000	Dekafix, Terminal marker, 5 x 8 mm, Weidmueller, white
GTIN (EAN)	4050118392012	
Qty.	500 ST	

WTQ 6/1/STB

Weidmüller Interface GmbH & Co. KG
 Klingenbergstraße 26
 D-32758 Detmold
 Germany

www.weidmueller.com

Accessories

Testadapter and testsockets



Test adapters and test plugs are used for the electrical connection between terminal blocks and the test equipment. In this way, an electrical contact can be established in the wired state and measurements can be done easily.

General ordering data

Type	STB 36.8/IH/BL WTL6/1	Version
Order No.	1847790000	Socket (terminal), Plug-in depth: 11.1 mm, Depth: 39.8 mm
GTIN (EAN)	4032248379149	
Qty.	50 ST	

Accessorie



Current and voltage transformer wiring
 Our test disconnect terminal blocks featuring spring and screw connection technology allow you to create all the important converter circuits for measuring current, voltage and power in a safe and sophisticated way.

General ordering data

Type	STB 36.8/IH/GN WTL6/1	Version
Order No.	1847770000	Socket (terminal), Plug-in depth: 11.1 mm, Depth: 39.8 mm
GTIN (EAN)	4032248379163	
Qty.	50 ST	
Type	STB 36.8/IH/RT WTL6/1	Version
Order No.	1312540000	Socket (terminal), Plug-in depth: 11.1 mm, Depth: 39.8 mm
GTIN (EAN)	4050118180992	
Qty.	50 ST	

Testadapter and testsockets



Test adapters and test plugs are used for the electrical connection between terminal blocks and the test equipment. In this way, an electrical contact can be established in the wired state and measurements can be done easily.

Accessories

General ordering data

Type	STB 36.8/IH/SW WTL6/1	Version	
Order No.	1312550000	Socket (terminal), Plug-in depth: 11.1 mm, Depth: 39.8 mm	
GTIN (EAN)	4050118181210		
Qty.	50 ST		