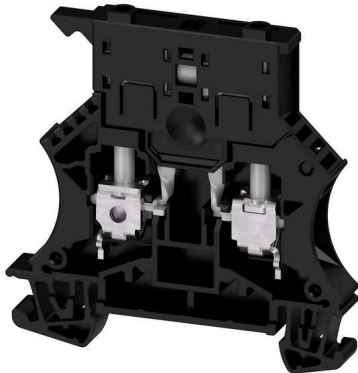


**WSI 6 SW****Weidmüller Interface GmbH & Co. KG**Klingenbergstraße 26  
D-32758 Detmold  
Germany

www.weidmueller.com

**Product image**

Fuse terminal blocks and component terminal blocks allow protective and functional elements to be integrated directly into the terminal strip. Fuse terminal blocks include built-in fuse holders to reliably protect electrical circuits against overload –ideal for control and distribution systems. Component terminal blocks make it possible to incorporate electronic components such as diodes, resistors, or LEDs directly into the wiring. This enables space-saving and clearly arranged implementation of switching functions and signal separation. Both types of terminal blocks ensure higher safety, easy maintenance, and a compact, function-oriented installation.

**General ordering data**

Version	Fuse terminal, Screw connection, black, 6 mm <sup>2</sup> , 6.3 A, 500 V, Number of connections: 2, Number of levels: 1, TS 35
Order No.	<a href="#">1011010000</a>
Type	WSI 6 SW
GTIN (EAN)	4008190297855
Qty.	50 items

## WSI 6 SW

**Weidmüller Interface GmbH & Co. KG**  
 Klingenbergstraße 26  
 D-32758 Detmold  
 Germany

www.weidmueller.com

## Technical data

## Approvals

Approvals



ROHS	Conform
UL File Number Search	<a href="#">UL Website</a>
Certificate No. (UR)	E60693

## Dimensions and weights

Depth	61 mm	Depth (inches)	2.4016 inch
Depth including DIN rail	62 mm	Height	60 mm
Height (inches)	2.3622 inch	Width	7.9 mm
Width (inches)	0.311 inch	Net weight	19.04 g

## Temperatures

Storage temperature	-25 °C...55 °C	Ambient temperature	-5 °C...40 °C
Continuous operating temp., min.	-50 °C	Continuous operating temp., max.	120 °C

## Environmental Product Compliance

RoHS Compliance Status	Compliant without exemption
REACH SVHC	No SVHC above 0.1 wt%

## Material data

Basic material	Wemid	Colour	black
UL 94 flammability rating	V-0		

## System specifications

Version	Screw connection, Fuse isolator, for screwable cross-connection, One end without connector	End cover plate required	Yes
Number of potentials	1	Number of levels	1
Number of clamping points per level	2	Number of potentials per tier	1
Levels cross-connected internally	No	PE connection	No
Mounting rail	TS 35	N-function	No
PE function	No	PEN function	No

## Additional technical data

Open sides	right	Number of similar terminals	1
Explosion-tested version	No	Type of mounting	Snap-on

## CSA rating data

Wire cross section max. (CSA)	8 AWG	Certificate No. (CSA)	200039-1057876
Wire cross section min. (CSA)	20 AWG		

## WSI 6 SW

**Weidmüller Interface GmbH & Co. KG**

Klingenbergstraße 26  
D-32758 Detmold  
Germany

www.weidmueller.com

## Technical data

### Conductors for clamping (additional connection)

Conductor cross-section, flexible plus plastic collar DIN 46228/1, further connection, max.	6 mm <sup>2</sup>	Connection type, additional connection	Screw connection
---	-------------------	--	------------------

### Conductors for clamping (rated connection)

Gauge to IEC 60947-1	A5
Wire connection cross section AWG, max.	AWG 8
Connection direction	on side
Tightening torque, max.	1.6 Nm
Tightening torque, min.	0.8 Nm
Stripping length	12 mm
Type of connection 2	Screw connection
Type of connection	Screw connection
Number of connections	2
Clamping range, max.	10 mm <sup>2</sup>
Clamping range, min.	0.5 mm <sup>2</sup>
Clamping screw	M 3.5
Blade size	0.8 x 4.0 mm
Wire connection cross section AWG, min.	AWG 20
Wire connection cross-section, finely stranded with wire-end ferrules DIN 46228/4, max.	6 mm <sup>2</sup>
Wire connection cross-section, finely stranded with wire-end ferrules DIN 46228/4, min.	0.5 mm <sup>2</sup>
Wire connection cross-section, finely stranded with wire-end ferrules DIN 46228/1, max.	6 mm <sup>2</sup>
Wire connection cross-section, finely stranded with wire-end ferrules DIN 46228/1, min.	0.5 mm <sup>2</sup>
Wire connection cross section, finely stranded, max.	10 mm <sup>2</sup>
Wire connection cross section, finely stranded, min.	0.5 mm <sup>2</sup>
Connection cross-section, stranded, max.	10 mm <sup>2</sup>
Connection cross-section, stranded, min.	0.5 mm <sup>2</sup>
Torque level with DMS electric screwdriver	3
Wire connection cross-section, solid core, max.	10 mm <sup>2</sup>
Wire connection cross-section, solid core, min.	0.5 mm <sup>2</sup>
Connection cross-section, finely stranded, min.	0.5 mm <sup>2</sup>

Clampable conductor	Connection specification		Screw connection	
	Cross-section for conductor connection	Type	solid, H05(07) V-U	
		min.	0.5 mm <sup>2</sup>	
		max.	10 mm <sup>2</sup>	
		nominal	6 mm <sup>2</sup>	
	wire end ferrule	Stripping length	min.	12 mm
			max.	12 mm
			nominal	12 mm
		Tightening torque	min.	0.8 Nm
			max.	1.6 Nm

## WSI 6 SW

**Weidmüller Interface GmbH & Co. KG**

Klingenbergstraße 26

D-32758 Detmold

Germany

www.weidmueller.com

## Technical data

Connection specification		Screw connection	
Cross-section for conductor connection	Type	stranded, H07V-R	
	min.	1.5 mm <sup>2</sup>	
	max.	10 mm <sup>2</sup>	
	nominal	6 mm <sup>2</sup>	
wire end ferrule	Stripping length	min.	12 mm
		max.	12 mm
		nominal	12 mm
	Tightening torque	min.	0.8 Nm
		max.	1.6 Nm
Connection specification		Screw connection	
Cross-section for conductor connection	Type	flexible, H05(07) V-K	
	min.	0.5 mm <sup>2</sup>	
	max.	10 mm <sup>2</sup>	
	nominal	6 mm <sup>2</sup>	
wire end ferrule	Stripping length	min.	12 mm
		max.	12 mm
		nominal	12 mm
	Tightening torque	min.	0.8 Nm
		max.	1.6 Nm

### Dimensions

TS 35 offset 32 mm

### Fuse terminals

Cartridge fuse	G-Si. 5 x 20	Fuse holder (cartridge holder)	Pivoting
Type of voltage for indicator	AC/DC	Display	Without LED
Operating voltage, max.	500 V	Power loss, 1-pole ; 2-pole ; 3-pole	
Permitted power loss for fuse with semiconductor protection			

### General

Wire connection cross section AWG, max.	AWG 8	Wire connection cross section AWG, min.	AWG 20
Standards	IEC 60947-7-3, IEC 60947-7-1	Mounting rail	TS 35

### Rating data

Rated cross-section	6 mm <sup>2</sup>	Rated voltage	500 V
Rated voltage to adjoining terminal	500 V	Rated DC voltage	500 V
Nominal current	6.3 A	Current at maximum wires	6.3 A
Standards	IEC 60947-7-3, IEC 60947-7-1	Volume resistance according to IEC 60947-7-x	0.78 mΩ
Rated impulse withstand voltage	6 kV	Power loss in accordance with IEC 60947-7-x	1.31 W
Pollution severity	3		

### UL rating data

Conductor size Factory wiring max. (UR)	8 AWG	Current size C (UR)	10 A
Voltage size C (UR)	600 V	Conductor size Factory wiring min. (UR)	22 AWG
Certificate No. (UR)	E60693	Conductor size Field wiring min. (UR)	22 AWG
Conductor size Field wiring max. (UR)	8 AWG		

## WSI 6 SW

**Weidmüller Interface GmbH & Co. KG**  
Klingenbergstraße 26  
D-32758 Detmold  
Germany

[www.weidmueller.com](http://www.weidmueller.com)

## Technical data

### Important note

Product information      The voltage depends on the selected fuse element or the selected indicator light

### Classifications

ETIM 8.0	EC000899	ETIM 9.0	EC000899
ETIM 10.0	EC000899	ECLASS 14.0	27-25-01-13
ECLASS 15.0	27-25-01-13		

**Drawings**

