

HDC 10B DODQ 2QB

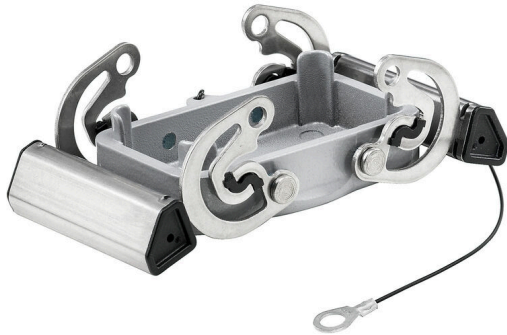
Weidmüller Interface GmbH & Co. KG

Klingenbergstraße 26

D-32758 Detmold

Germany

www.weidmueller.com



The special die-cast alloy and the multi-layered surface sealing provide complete protection for the HDC housings.

The cleverly designed interlock system is manufactured from stainless steel. This guarantees a long lifespan with high resistance to corrosion and impact.

The housing interlock system provides integrated safety. Our unique, patented spring system provides the housing interlock with a secure grip and prevents accidental opening.

The laser marking allows for easy and quick identification. Each housing is permanently labelled with a laser marking so that each product can be quickly designated and positioned.

Weidmüller RockStar® IP 65 / NEMA Type 4X housings - your first choice for industrial housings with IP 65 protection.

General ordering data

Order No.	1009080000
Type	HDC 10B DODQ 2QB
GTIN (EAN)	4032248713820
Qty.	1 items

HDC 10B DODQ 2QB

Weidmüller Interface GmbH & Co. KG
 Klingenbergstraße 26
 D-32758 Detmold
 Germany

www.weidmueller.com

Technical data

Approvals

Approvals



ROHS Conform

Dimensions and weights

Net weight 132 g

Temperatures

Limit temperature -40 °C ... 125 °C

Environmental Product Compliance

RoHS Compliance Status Compliant without exemption
 REACH SVHC Potassium perfluorobutane sulfonate 29420-49-3
 SCIP e98b2b24-ba23-41bf-8d19-0dda3647412f

Dimensions

Cable entry For bases

General data

UL 94 flammability rating None Surface finish Powder coating
 Protection degree IP65, in plugged condition

Version

Number of cable glands	0	Size of cable entries	none
Top part/bottom part/lid	Cover	Cover	with cover
Number of cable entry sideways	0	Design of housing	Cover for lower part of housing
Design of locking system	Side-locking clamp on upper side	Design	Standard
Installation size	4	Cable entry	For bases
Type	Cover	Sealing	no sealing
Colour (RAL)	RAL 7001	BG	4
Suitable for ModuPlug®	Yes		

Classifications

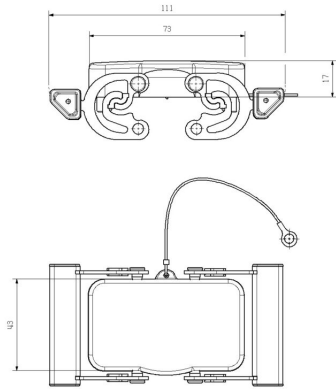
ETIM 8.0	EC000437	ETIM 9.0	EC000437
ETIM 10.0	EC000437	ECLASS 14.0	27-44-02-02
ECLASS 15.0	27-44-02-02		

HDC 10B DODQ 2QB

Weidmüller Interface GmbH & Co. KG
Klingenbergstraße 26
D-32758 Detmold
Germany

Drawings

www.weidmueller.com



HDC 10B DODQ 2QB

Weidmüller Interface GmbH & Co. KG
 Klingenbergstraße 26
 D-32758 Detmold
 Germany

Accessories

www.weidmueller.com

Hood, Cable Entry sideways



The special die-cast alloy and the multi-layered surface sealing provide complete protection for the HDC housings.

The cleverly designed interlock system is manufactured from stainless steel. This guarantees a long lifespan with high resistance to corrosion and impact.

The housing interlock system provides integrated safety. Our unique, patented spring system provides the housing interlock with a secure grip and prevents accidental opening.

The laser marking allows for easy and quick identification. Each housing is permanently labelled with a laser marking so that each product can be quickly designated and positioned.

Weidmüller RockStar® IP 65 / NEMA Type 4X housings - your first choice for industrial housings with IP 65 protection.

General ordering data

Type	HDC 10B TSBU 1PG16G	Version
Order No.	1654070000	HDC enclosures, Installation size: 4, Protection degree: IP65, in plugged condition, Cable entry from side, Plug housing, Side-locking clamp on lower side, Standard, Size of cable entries: PG 16
GTIN (EAN)	4008190406899	
Qty.	1 ST	
Type	HDC 10B TSBU 1PG21G	Version
Order No.	1654090000	HDC enclosures, Installation size: 4, Protection degree: IP65, in plugged condition, Cable entry from side, Plug housing, Side-locking clamp on lower side, Standard, Size of cable entries: PG 21
GTIN (EAN)	4008190406912	
Qty.	1 ST	
Type	HDC 24D TSBU 1PG21G	Version
Order No.	1654150000	HDC enclosures, Installation size: 4, Protection degree: IP65, in plugged condition, Cable entry from side, Plug housing, Side-locking clamp on lower side, high, Size of cable entries: PG 21
GTIN (EAN)	4008190406974	
Qty.	1 ST	
Type	HDC 24D TSBU 1PG29G	Version
Order No.	1654170000	HDC enclosures, Installation size: 4, Protection degree: IP65, in plugged condition, Cable entry from side, Plug housing, Side-locking clamp on lower side, high, Size of cable entries: PG 29
GTIN (EAN)	4008190406998	
Qty.	1 ST	
Type	HDC 24D TSBU 1M32G	Version
Order No.	1787230000	HDC enclosures, Installation size: 4, Protection degree: IP65, in plugged condition, Cable entry from side, Plug housing, Side-locking clamp on lower side, high, Size of cable entries: M 32
GTIN (EAN)	4032248204571	
Qty.	1 ST	
Type	HDC 24D TSBU 1M25G	Version
Order No.	1787240000	HDC enclosures, Installation size: 4, Protection degree: IP65, in plugged condition, Cable entry from side, Plug housing, Side-locking clamp on lower side, high, Size of cable entries: M 25
GTIN (EAN)	4032248204588	
Qty.	1 ST	
Type	HDC 10B TSBU 1M25G	Version
Order No.	1787550000	HDC enclosures, Installation size: 4, Protection degree: IP65, in plugged condition, Cable entry from side, Plug housing, Side-locking clamp on lower side, Standard, Size of cable entries: M 25
GTIN (EAN)	4032248204892	
Qty.	1 ST	
Type	HDC 10B TSBU 1M20G	Version
Order No.	1787560000	HDC enclosures, Installation size: 4, Protection degree: IP65, in plugged condition, Cable entry from side, Plug housing, Side-locking clamp on lower side, Standard, Size of cable entries: M 20
GTIN (EAN)	4032248204908	
Qty.	1 ST	

HDC 10B DODQ 2QB

Weidmüller Interface GmbH & Co. KG
 Klingenbergstraße 26
 D-32758 Detmold
 Germany

Accessories

www.weidmueller.com

Hood, Cable Entry at top



The special die-cast alloy and the multi-layered surface sealing provide complete protection for the HDC housings.

The cleverly designed interlock system is manufactured from stainless steel. This guarantees a long lifespan with high resistance to corrosion and impact.

The housing interlock system provides integrated safety. Our unique, patented spring system provides the housing interlock with a secure grip and prevents accidental opening.

The laser marking allows for easy and quick identification. Each housing is permanently labelled with a laser marking so that each product can be quickly designated and positioned.

Weidmüller RockStar® IP 65 / NEMA Type 4X housings - your first choice for industrial housings with IP 65 protection.

General ordering data

Type	HDC 24D TOBU 2M20G	Version
Order No.	1336600000	HDC enclosures, Installation size: 4, Protection degree: IP65, in
GTIN (EAN)	4050118175257	plugged condition, Cable entry from top, Plug housing, Side-locking
Qty.	1 ST	clamp on lower side, high, Size of cable entries: M 20
Type	HDC 10B TOBU 1PG16G	Version
Order No.	1654220000	HDC enclosures, Installation size: 4, Protection degree: IP65, in
GTIN (EAN)	4008190407049	plugged condition, Cable entry from top, Plug housing, Side-locking
Qty.	1 ST	clamp on lower side, Standard, Size of cable entries: PG 16
Type	HDC 10B TOBU 1PG21G	Version
Order No.	1654240000	HDC enclosures, Installation size: 4, Protection degree: IP65, in
GTIN (EAN)	4008190407063	plugged condition, Cable entry from top, Plug housing, Side-locking
Qty.	1 ST	clamp on lower side, Standard, Size of cable entries: PG 21
Type	HDC 24D TOBU 1PG29G	Version
Order No.	1654320000	HDC enclosures, Installation size: 4, Protection degree: IP65, in
GTIN (EAN)	4008190407148	plugged condition, Cable entry from top, Plug housing, Side-locking
Qty.	1 ST	clamp on lower side, high, Size of cable entries: PG 29
Type	HDC 24D TOBU 1M32G	Version
Order No.	1787290000	HDC enclosures, Installation size: 4, Protection degree: IP65, in
GTIN (EAN)	4032248204632	plugged condition, Cable entry from top, Plug housing, Side-locking
Qty.	1 ST	clamp on lower side, high, Size of cable entries: M 32
Type	HDC 24D TOBU 1M25G	Version
Order No.	1787300000	HDC enclosures, Installation size: 4, Protection degree: IP65, in
GTIN (EAN)	4032248204649	plugged condition, Cable entry from top, Plug housing, Side-locking
Qty.	1 ST	clamp on lower side, high, Size of cable entries: M 25
Type	HDC 10B TOBU 1M25G	Version
Order No.	1787590000	HDC enclosures, Installation size: 4, Protection degree: IP65, in
GTIN (EAN)	4032248204939	plugged condition, Cable entry from top, Plug housing, Side-locking
Qty.	1 ST	clamp on lower side, Standard, Size of cable entries: M 25
Type	HDC 10B TOBU 1M20G	Version
Order No.	1787600000	HDC enclosures, Installation size: 4, Protection degree: IP65, in
GTIN (EAN)	4032248204946	plugged condition, Cable entry from top, Plug housing, Side-locking
Qty.	1 ST	clamp on lower side, Standard, Size of cable entries: M 20