

HDC HQP KOLU 1PG16

Weidmüller Interface GmbH & Co. KG
 Klingenbergstraße 26
 D-32758 Detmold
 Germany

www.weidmueller.com



The special die-cast alloy and the multi-layered surface sealing provide complete protection for the HDC housings.

The cleverly designed interlock system is manufactured from stainless steel. This guarantees a long lifespan with high resistance to corrosion and impact.

The housing interlock system provides integrated safety. Our unique, patented spring system provides the housing interlock with a secure grip and prevents accidental opening.

The laser marking allows for easy and quick identification. Each housing is permanently labelled with a laser marking so that each product can be quickly designated and positioned.

Weidmüller RockStar® IP 65 / NEMA Type 4X housings - your first choice for industrial housings with IP 65 protection. The HQ version now offers particular protection - the bulkhead housing (cover and metal clamp) can be secured with a padlock.

General ordering data

Version	HDC enclosures, Installation size: HQ, Protection degree: IP65, in plugged condition, Coupling housing, Side-locking clamp on lower side, Standard, Size of cable entries: PG 16
Order No.	1003120000
Type	HDC HQP KOLU 1PG16
GTIN (EAN)	4032248698059
Qty.	1 items

HDC HQP KOLU 1PG16

Weidmüller Interface GmbH & Co. KG
 Klingenbergstraße 26
 D-32758 Detmold
 Germany

www.weidmueller.com

Technical data

Approvals

Approvals



ROHS	Conform
UL File Number Search	UL Website
Certificate No. (cURus)	E92202

Dimensions and weights

Depth	35 mm	Depth (inches)	1.378 inch
Height	63.5 mm	Height (inches)	2.5 inch
Width	45.9 mm	Width (inches)	1.8071 inch
Length	45.9 mm	Length (inches)	1.8071 inch
Net weight	36.96 g		

Temperatures

Limit temperature	-40 °C ... 125 °C
-------------------	-------------------

Environmental Product Compliance

RoHS Compliance Status	Compliant without exemption
REACH SVHC	Potassium perfluorobutane sulfonate 29420-49-3
SCIP	2f94735a-9fba-4903-842f-4fb9aa902310

Chemical resistance	Substance	Acetone
	Chemical resistance	Conditionally resistant
	Substance	Drilling oil
	Chemical resistance	Resistant
	Substance	Diesel
	Chemical resistance	Resistant
	Substance	Ethyl alcohol
	Chemical resistance	Resistant
	Substance	Transmission oil
	Chemical resistance	Resistant
	Substance	Hydraulic oil
	Chemical resistance	Resistant
	Substance	Coolant
	Chemical resistance	Resistant
	Substance	Petroleum benzine
	Chemical resistance	Resistant
	Substance	Sweat
	Chemical resistance	Resistant
	Substance	Premium gasoline
	Chemical resistance	Conditionally resistant
Substance	Water	
Chemical resistance	Resistant	
Substance	UV	
Chemical resistance	Unstable	
Substance	Ozone	
Chemical resistance	Unstable	

HDC HQP KOLU 1PG16

Weidmüller Interface GmbH & Co. KG

Klingenbergstraße 26

D-32758 Detmold

Germany

www.weidmueller.com

Technical data

Dimensions

Cable entry	w. thread	Width housing C	29 mm
Total length housing	45.9 mm	Height of housing B	64 mm

General data

UL 94 flammability rating	V-0	Housing main material	Plastic
Protection degree	IP65, in plugged condition	Series	HQ
EMC housings	No	Material of locking element	Stainless steel, rust-proof

Version

Number of cable glands	0	Size of cable entries	PG 16
Top part/bottom part/lid	lower part	Cover	without cover
Number of cable entry on top	1	Number of cable entry sideways	0
Design of housing	Coupling housing	Design of locking system	Side-locking clamp on lower side
Design	Standard	Installation size	HQ
Cable entry	w. thread	Type	coupling extension
Clamp version	Side-locking clamp	Sealing	no sealing
External thread	PG 16	Colour (RAL)	RAL 1001
BG	HQ	Suitable for ModuPlug®	No

Classifications

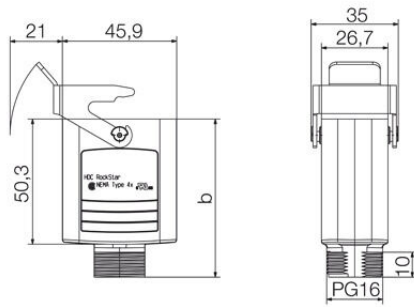
ETIM 8.0	EC000437	ETIM 9.0	EC000437
ETIM 10.0	EC000437	ECLASS 14.0	27-44-02-02
ECLASS 15.0	27-44-02-02		

HDC HQP KOLU 1PG16

Weidmüller Interface GmbH & Co. KG
Klingenbergstraße 26
D-32758 Detmold
Germany

Drawings

www.weidmueller.com



HDC HQP KOLU 1PG16

Weidmüller Interface GmbH & Co. KG
 Klingenbergstraße 26
 D-32758 Detmold
 Germany

www.weidmueller.com

Accessories

Cover



The special die-cast alloy and the multi-layered surface sealing provide complete protection for the HDC housings.

The cleverly designed interlock system is manufactured from stainless steel. This guarantees a long lifespan with high resistance to corrosion and impact.

The housing interlock system provides integrated safety. Our unique, patented spring system provides the housing interlock with a secure grip and prevents accidental opening.

The laser marking allows for easy and quick identification. Each housing is permanently labelled with a laser marking so that each product can be quickly designated and positioned.

Weidmüller RockStar® IP 65 / NEMA Type 4X housings - your first choice for industrial housings with IP 65 protection. The HQ version now offers particular protection - the bulkhead housing (cover and metal clamp) can be secured with a padlock.

General ordering data

Type	HDC HQP DMD 2B0	Version
Order No.	1003130000	HDC enclosures, Installation size: HQ, Protection degree: IP65, in
GTIN (EAN)	4032248698066	plugged condition, Cover for lower part of housing, Side-locking
Qty.	1 ST	clamp on lower side, Standard, Size of cable entries: none
Type	HDC HQP DOD 2B0	Version
Order No.	1003140000	HDC enclosures, Installation size: HQ, Protection degree: IP65, in
GTIN (EAN)	4032248698073	plugged condition, Cover for lower part of housing, Side-locking
Qty.	1 ST	clamp on lower side, Standard, Size of cable entries: none
Type	HDC HQP DMD 2B0 CS	Version
Order No.	1251660000	HDC enclosures, Installation size: HQ, Protection degree: IP65, in
GTIN (EAN)	4050118052312	plugged condition, Cover for lower part of housing, Side-locking
Qty.	1 ST	clamp on lower side, , Size of cable entries: none
Type	HDC HQP DOD 2B0 CS	Version
Order No.	1251670000	HDC enclosures, Installation size: HQ, Protection degree: IP65, in
GTIN (EAN)	4050118052329	plugged condition, Cover for lower part of housing, Side-locking
Qty.	1 ST	clamp on lower side, , Size of cable entries: none

HDC HQP KOLU 1PG16

Weidmüller Interface GmbH & Co. KG
 Klingenbergstraße 26
 D-32758 Detmold
 Germany

www.weidmueller.com

Accessories

Plug housing, cable entry sideways



The special die-cast alloy and the multi-layered surface sealing provide complete protection for the HDC housings.

The cleverly designed interlock system is manufactured from stainless steel. This guarantees a long lifespan with high resistance to corrosion and impact.

The housing interlock system provides integrated safety. Our unique, patented spring system provides the housing interlock with a secure grip and prevents accidental opening.

The laser marking allows for easy and quick identification. Each housing is permanently labelled with a laser marking so that each product can be quickly designated and positioned.

Weidmüller RockStar® IP 65 / NEMA Type 4X housings - your first choice for industrial housings with IP 65 protection. The HQ version now offers particular protection - the bulkhead housing (cover and metal clamp) can be secured with a padlock.

General ordering data

Type	HDC HQP TSLU 1PG16	Version	
Order No.	1003090000		HDC enclosures, Installation size: HQ, Protection degree: IP65, in
GTIN (EAN)	4032248698028		plugged condition, Cable entry from side, Plug housing, Side-locking
Qty.	1 ST		clamp on lower side, Standard, Size of cable entries: PG 16

Plug housing, cable entry at top



The special die-cast alloy and the multi-layered surface sealing provide complete protection for the HDC housings.

The cleverly designed interlock system is manufactured from stainless steel. This guarantees a long lifespan with high resistance to corrosion and impact.

The housing interlock system provides integrated safety. Our unique, patented spring system provides the housing interlock with a secure grip and prevents accidental opening.

The laser marking allows for easy and quick identification. Each housing is permanently labelled with a laser marking so that each product can be quickly designated and positioned.

Weidmüller RockStar® IP 65 / NEMA Type 4X housings - your first choice for industrial housings with IP 65 protection. The HQ version now offers particular protection - the bulkhead housing (cover and metal clamp) can be secured with a padlock.

General ordering data

Type	HDC HQP TOLU 1PG16	Version	
Order No.	1003070000		HDC enclosures, Installation size: HQ, Protection degree: IP65, in
GTIN (EAN)	4032248698004		plugged condition, Cable entry from top, Plug housing, Side-locking
Qty.	1 ST		clamp on lower side, Standard, Size of cable entries: PG 16

HDC HQP KOLU 1PG16

Weidmüller Interface GmbH & Co. KG
 Klingenbergstraße 26
 D-32758 Detmold
 Germany

www.weidmueller.com

Accessories

Plug housing, cable entry sideways



The special die-cast alloy and the multi-layered surface sealing provide complete protection for the HDC housings.

The cleverly designed interlock system is manufactured from stainless steel. This guarantees a long lifespan with high resistance to corrosion and impact.

The housing interlock system provides integrated safety. Our unique, patented spring system provides the housing interlock with a secure grip and prevents accidental opening.

The laser marking allows for easy and quick identification. Each housing is permanently labelled with a laser marking so that each product can be quickly designated and positioned.

Weidmüller RockStar® IP 65 / NEMA Type 4X housings - your first choice for industrial housings with IP 65 protection. The HQ version now offers particular protection - the bulkhead housing (cover and metal clamp) can be secured with a padlock.

General ordering data

Type	HDC HQM TSLU 1PG21	Version	
Order No.	1003100000	HDC enclosures, Installation size: HQ, Protection degree: IP65, in	
GTIN (EAN)	4032248698035	plugged condition, Cable entry from side, Plug housing, Side-locking	
Qty.	1 ST	clamp on lower side, Standard, Size of cable entries: PG 21	

Plug housing, cable entry at top



The special die-cast alloy and the multi-layered surface sealing provide complete protection for the HDC housings.

The cleverly designed interlock system is manufactured from stainless steel. This guarantees a long lifespan with high resistance to corrosion and impact.

The housing interlock system provides integrated safety. Our unique, patented spring system provides the housing interlock with a secure grip and prevents accidental opening.

The laser marking allows for easy and quick identification. Each housing is permanently labelled with a laser marking so that each product can be quickly designated and positioned.

Weidmüller RockStar® IP 65 / NEMA Type 4X housings - your first choice for industrial housings with IP 65 protection. The HQ version now offers particular protection - the bulkhead housing (cover and metal clamp) can be secured with a padlock.

General ordering data

Type	HDC HQM TOLU 1PG21	Version	
Order No.	1003080000	HDC enclosures, Installation size: HQ, Protection degree: IP65, in	
GTIN (EAN)	4032248698011	plugged condition, Cable entry from top, Plug housing, Side-locking	
Qty.	1 ST	clamp on lower side, Standard, Size of cable entries: PG 21	

HDC HQP KOLU 1PG16

Weidmüller Interface GmbH & Co. KG

Klingenbergstraße 26

D-32758 Detmold

Germany

www.weidmueller.com

Accessories

17-pole



The HQ series - big features in a compact design. The electrical values speak for themselves. The standard HE crimp contacts can also be used here.

The wire connection level is designed as a crimp contact. The established crimp connection has been used as a standard for decades.

Crimp contacts are not delivered with the inserts.

Pole count: 17 (+PE)

Rated current: 10 A

Rated voltage 250 V

Nominal voltage acc. to UL/CSA: 600 V AC/DC

Crimp connection

General ordering data

Type	HDC HQ 17 FC	Version
Order No.	1003200000	HDC insert, Female, 250 V, 10 A, Number of poles: 17, Crimp connection, Installation size: HQ
GTIN (EAN)	4032248698196	
Qty.	1 ST	
Type	HDC HQ 17 MC	Version
Order No.	1003210000	HDC insert, Male, 250 V, 10 A, Number of poles: 17, Crimp connection, Installation size: HQ
GTIN (EAN)	4032248698202	
Qty.	1 ST	

4/2-pole



The HQ series - big features in a compact design. The electrical characteristics speak for themselves. You can also use the proven HD and HX crimp contacts here.

The wire connection level is designed for crimp contacts. The proven crimp connection has been in standard use for decades.

Crimp contacts are not included in the scope of delivery of inserts.

Pole count: 4/2 (+PE)

Rated current: 40/10 A

Rated voltage: 690 / 250 V

Rated voltage acc. to UL/CSA: 600 V AC/DC

General ordering data

Type	HDC HQ 4/2 FC	Version
Order No.	1003160000	HDC insert, Female, 690 V, 40 A, Number of poles: 6, Crimp connection, Installation size: HQ
GTIN (EAN)	4032248698158	
Qty.	1 ST	
Type	HDC HQ 4/2 MC	Version
Order No.	1003170000	HDC insert, Male, 690 V, 40 A, Number of poles: 6, Crimp connection, Installation size: HQ
GTIN (EAN)	4032248698165	
Qty.	1 ST	

HDC HQP KOLU 1PG16

Weidmüller Interface GmbH & Co. KG
 Klingenbergstraße 26
 D-32758 Detmold
 Germany

www.weidmueller.com

Accessories

8-pole



A small size but quite big. The electrical values speak for themselves. Proven HE crimp contacts can also be used here.

Pole count: 8 (+PE)

Rated current: 16 A

Rated voltage: 500 V

Nominal voltage acc. to UL/CSA: 600 V AC/DC

General ordering data

Type	HDC HQ 8 MC	Version
Order No.	1919970000	HDC insert, Male, 500 V, 16 A, Number of poles: 8, Crimp connection, Installation size: HQ
GTIN (EAN)	4032248557943	
Qty.	1 ST	
Type	HDC HQ 8 FC	Version
Order No.	1919980000	HDC insert, Female, 500 V, 16 A, Number of poles: 8, Crimp connection, Installation size: HQ
GTIN (EAN)	4032248557950	
Qty.	1 ST	

HQ version for HDC



In addition to the extensive range of enclosures, Weidmüller offers a variety of cable glands for a wide range of applications.

The cable glands made of brass, plastic and stainless steel meet the most various IP protection classes to suit any industrial enclosure.

Depending on the series of cable glands and the application, the cable glands are approved and tested according to VDE, UL, UR, cULus, DNV GL or EN 45545.

General ordering data

Type	VG 16 HQ K68 11.5-15.5	Version
Order No.	1016080000	Heavy-duty connectors, Accessories, Cable glands, Polycarbonate
GTIN (EAN)	4032248725533	
Qty.	1 ST	
Type	VG 16 HQ K68 9-13	Version
Order No.	1016070000	Heavy-duty connectors, Accessories, Cable glands, Polycarbonate
GTIN (EAN)	4032248725526	
Qty.	1 ST	
Type	VG16 HQ K68 11.5-15.5SH	Version
Order No.	1045540000	Heavy-duty connectors, Accessories, Cable glands, Polycarbonate
GTIN (EAN)	4032248779444	
Qty.	1 ST	
Type	VG16 HQ K68 9-12SH	Version
Order No.	1045530000	Heavy-duty connectors, Accessories, Cable glands, Polycarbonate
GTIN (EAN)	4032248779437	
Qty.	50 ST	