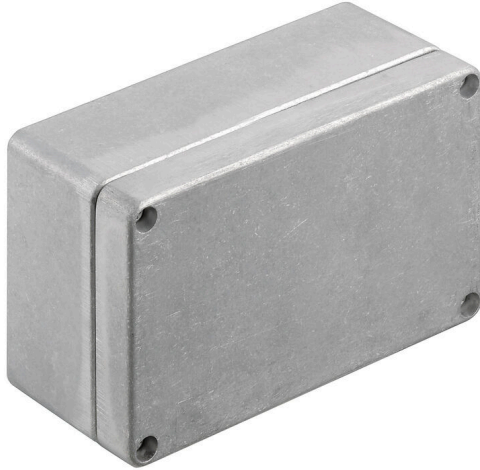


## KLIPPON K21

**Weidmüller Interface GmbH & Co. KG**

Klingenbergstraße 26  
D-32758 Detmold  
Germany

[www.weidmueller.com](http://www.weidmueller.com)



The aluminium Klippon® K enclosures are suitable for use in an extremely wide range of different areas. Various components can be installed inside the enclosures, and will benefit in particular from the high temperature resistance, the excellent IP protection and the good impact resistance.

No matter what kind of application the customer is planning, Weidmüller is able to provide a wide range of aluminium enclosures precisely fitting the customer's requirements.

Klippon® K enclosures for hazardous areas are available on request.

Our extensive product range offers the following advantages:

- Available in two surface finishes: natural and powder-coated (RAL 7001)
  - With chloroprene moulded seal as standard (silicone moulded seal optionally available)
  - Standardised closure system with Torx slotted screw head for 19 enclosure sizes
  - Mounting holes outside of the gasket area
  - High IP protection classes: IP66, IP67 and IP68 according to DIN EN 60529
  - Impact resistance of up to 7 (10) Joules
  - The enclosures are approved according to ATEX, IECEx, cULus, and DNV GL as well as the empty enclosure standard.
- Suitable for railway applications according to EN 45545-2:2013
  - Alloy is resistant to salt water
  - Standardised distributor enclosures with threaded holes and a variety of terminal configurations

### General ordering data

Version	Klippon K (aluminium empty enclosure), Empty enclosure, Aluminium enclosure, Height: 80 mm, Width: 125 mm, Depth: 57 mm, Basic material: Aluminium AlSi12, untreated, silver
Order No.	<a href="#">0573400000</a>
Type	KLIPPON K21
GTIN (EAN)	4008190020750
Qty.	5 items

**KLIPPON K21**

**Weidmüller Interface GmbH & Co. KG**  
 Klingenbergstraße 26  
 D-32758 Detmold  
 Germany

www.weidmueller.com

**Technical data**

**Approvals**

Approvals



ROHS	Conform
UL File Number Search	<a href="#">UL Website</a>
Certificate no. (cULus)	E197061

**Dimensions and weights**

Depth	57 mm	Depth (inches)	2.2441 inch
Height	80 mm	Height (inches)	3.1496 inch
Width	125 mm	Width (inches)	4.9212 inch
Mounting dimension - height	52 mm	Mounting dimension - width	113 mm
Net weight	431.6 g		

**Temperatures**

Operating temperature	-40 °C...80 °C
-----------------------	----------------

**Environmental Product Compliance**

RoHS Compliance Status	Compliant without exemption
REACH SVHC	No SVHC above 0.1 wt%

**Cable glands, left**

M12	2	M16	2
M20	1		

**Cable glands, right**

M16	2	M20	1
M12	2		

**Cable glands, top/bottom**

M20	3	M12	6
M25	2	M16	4

**Certificate numbers enclosure**

Declaration of Conformity No. (DoC LVD)	DE PS2410 160412 001ISS03	Certificate No. (DNV)	TAE00002SM
Approval conditions	cULus, RMRS, DNV	Certificate no. (cULus)	E197061

**General information**

Material thickness of cover	2.5 mm	Material thickness of enclosure	4 mm
Operating temperature, max.	80 °C	Operating temperature, min.	-40 °C
Lid attachment	M4 torx stainless steel screws with slot	Standards	EN 45545-2:2013
Surface finish	untreated	Impact resistance	10 J version standard
Protection degree	IP66, IP67, IP68	Basic material	Aluminium AISi12
Seal material	Chloroprene	Torque for lid screws	2.5 Nm

## KLIPPON K21

**Weidmüller Interface GmbH & Co. KG**

Klingenbergstraße 26  
D-32758 Detmold  
Germany

www.weidmueller.com

## Technical data

Integral fixing	Threaded holes M4	Enclosure attachment	Holes 4 mm
Note: protection class	IP68 (t=72h, h=1m)	Protection class (UL)	Type 4, Type 4X
Number of lid screws	4	Access opening: width	117 mm
Unassembled to fit rail	<a href="#">TS15 114 KLIPPON K21 CSS</a>	Flange plate	No
Max. payload	1 kg	Lid	Yes
Access opening: height	72 mm	Areas of use	Process industry, Transportation, Marine engineering, Packaging industry, Harbour facilities, Machine construction

### horizontal assembly

WDU 2,5 / ZDU 2,5 / IDU 2,5	1x15	WDU 4 / ZDU 4	1x12
-----------------------------	------	---------------	------

### vertical assembly

WDU 2,5 / ZDU 2,5 / IDU 2,5	*	WDU 4 / ZDU 4	*
-----------------------------	---	---------------	---

### Classifications

ETIM 8.0	EC000261	ETIM 9.0	EC000261
ETIM 10.0	EC000261	ECLASS 14.0	27-18-01-01
ECLASS 15.0	27-18-01-01		

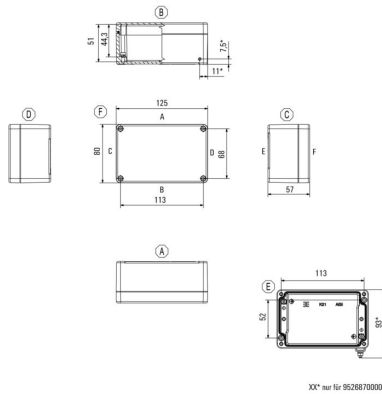
KLIPPON K21

Weidmüller Interface GmbH & Co. KG  
Klingenbergstraße 26  
D-32758 Detmold  
Germany

Drawings

www.weidmueller.com

Dimensioned drawing



## KLIPPON K21

**Weidmüller Interface GmbH & Co. KG**

Klingenbergstraße 26  
D-32758 Detmold  
Germany

www.weidmueller.com

## Accessories

### Klippon® K - Hinge



The system accessories for the Klippon® K enclosure series allows you to easily adapt the enclosures to meet the specific requirements of every application.

- DIN Rails TS 35 and TS 15
- Mounting plates
- Hinges
- Wall-mounted holder

Weidmüller can manufacture and supply this enclosure - according to customer specifications - fitted with all necessary terminals and cable glands.

#### General ordering data

Type	HG K+POK	Version	
Order No.	<a href="#">1580360000</a>	Klippon POK (polyester empty enclosure), External joint, Hinge, Basic	
GTIN (EAN)	4008190203542	material: Aluminium AISi12, silver	
Qty.	1 ST		

### Klippon® K - Mounting plates



The system accessories for the Klippon® K enclosure series allows you to easily adapt the enclosures to meet the specific requirements of every application.

- DIN Rails TS 35 and TS 15
- Mounting plates
- Hinges
- Wall-mounted holder

Weidmüller can manufacture and supply this enclosure - according to customer specifications - fitted with all necessary terminals and cable glands.

#### General ordering data

Type	MOPL K21 STAHL	Version	
Order No.	<a href="#">3073020000</a>	Klippon K (aluminium empty enclosure), Mounting plate, Mounting	
GTIN (EAN)	4008190857950	plate, Height: 67 mm, Width: 114 mm, Depth: 2 mm, Basic material:	
Qty.	1 ST	Sheet steel, galvanized, galvanized, silver	

### Spacer



Stainless steel spacers in three lengths to increase the distance between the mounting rails or DIN rails and the rear wall of the enclosure.

#### General ordering data

Type	SP M6 15 MSZN	Version	
Order No.	<a href="#">3896100000</a>	Klippon EB (Essential Box), Spacer, Height: 11.2 mm, Width: 10 mm,	
GTIN (EAN)	4008190857851	Depth: 15 mm, Basic material: Steel, silver	
Qty.	2 ST		

## KLIPPON K21

**Weidmüller Interface GmbH & Co. KG**  
 Klingenbergstraße 26  
 D-32758 Detmold  
 Germany

www.weidmueller.com

## Accessories

Type	SP M6 20 MSZN	Version
Order No.	<a href="#">3896200000</a>	Klippon EB (Essential Box), Spacer, Height: 11.2 mm, Width: 10 mm,
GTIN (EAN)	4008190850234	Depth: 20 mm, Basic material: Steel, silver
Qty.	2 ST	
Type	SP M6 30 MSZN	Version
Order No.	<a href="#">3896300000</a>	Klippon EB (Essential Box), Spacer, Height: 11.2 mm, Width: 10 mm,
GTIN (EAN)	4008190850241	Depth: 30 mm, Basic material: Steel, silver
Qty.	2 ST	

## TS 15



The system accessories for the Klippon® K enclosure series allows you to easily adapt the enclosures to meet the specific requirements of every application.

- DIN Rails TS 35 and TS 15
- Mounting plates
- Hinges
- Wall-mounted holder

Weidmüller can manufacture and supply this enclosure - according to customer specifications - fitted with all necessary terminals and cable glands.

### General ordering data

Type	TS15 114 KLIPPON K21 CSS	Version
Order No.	<a href="#">1910020000</a>	Rail, TS 15, Width: 114 mm, with slot, Steel, galvanized, chromium-plated
GTIN (EAN)	4032248536931	
Qty.	1 ST	

## Mounting support



We offer a broad portfolio of mounting support for easy handling and supplementation of our products. From various tools to insulating sleeves and various screws, our components are matched to each other down to the last detail and thus facilitate assembly in compliance with the respective standards and protective regulations.

### General ordering data

Type	FKSC M4X6 D8/SW2	Version
Order No.	<a href="#">1567480000</a>	SAK Series, Allen hex screw, Screws, Number of poles: 1
GTIN (EAN)	4008190033491	
Qty.	100 ST	

## KLIPPON K21

Weidmüller Interface GmbH &amp; Co. KG

Klingenbergstraße 26

D-32758 Detmold

Germany

www.weidmueller.com

## Accessories

## TS 15



The system accessories for the Klippon® K enclosure series allows you to easily adapt the enclosures to meet the specific requirements of every application.

- DIN Rails TS 35 and TS 15
- Mounting plates
- Hinges
- Wall-mounted holder

Weidmüller can manufacture and supply this enclosure - according to customer specifications - fitted with all necessary terminals and cable glands.

## General ordering data

Type	TS15X5 ST K21	Version	
Order No.	<a href="#">8000003886</a>	Rail, TS 15, Width: 114 mm, with slot, Steel, galvanic zinc plated and passivated	
GTIN (EAN)	4050118627930		
Qty.	20 ST		

## Depth 7.5 mm



The system accessories for the Klippon® K enclosure series allows you to easily adapt the enclosures to meet the specific requirements of every application.

- DIN Rails TS 35 and TS 15
- Mounting plates
- Hinges
- Wall-mounted holder

Weidmüller can manufacture and supply this enclosure - according to customer specifications - fitted with all necessary terminals and cable glands.

## General ordering data

Type	TS35X7.5 ST K21	Version	
Order No.	<a href="#">8000003897</a>	Rail, TS 35, TS 35 x 7.5, Width: 114 mm, without slot, Steel, galvanic zinc plated and passivated	
GTIN (EAN)	4050118652598		
Qty.	20 ST		

## Depth 15 mm



The system accessories for the Klippon® K enclosure series allows you to easily adapt the enclosures to meet the specific requirements of every application.

- DIN Rails TS 35 and TS 15
- Mounting plates
- Hinges
- Wall-mounted holder

Weidmüller can manufacture and supply this enclosure - according to customer specifications - fitted with all necessary terminals and cable glands.

## General ordering data

Type	TS35X15 ST K21	Version	
Order No.	<a href="#">8000073088</a>	Rail, TS 35, TS 35 x 15, Width: 114 mm, with slot, Steel, galvanic zinc plated and passivated	
GTIN (EAN)	4064675336990		
Qty.	20 ST		