

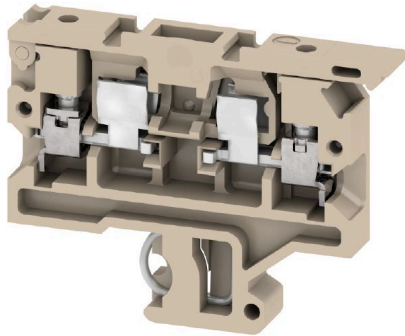
**ASK 1****Weidmüller Interface GmbH & Co. KG**

Klingenbergstraße 26

D-32758 Detmold

Germany

www.weidmueller.com



Fuse terminal blocks and component terminal blocks allow protective and functional elements to be integrated directly into the terminal strip. Fuse terminal blocks include built-in fuse holders to reliably protect electrical circuits against overload –ideal for control and distribution systems. Component terminal blocks make it possible to incorporate electronic components such as diodes, resistors, or LEDs directly into the wiring. This enables space-saving and clearly arranged implementation of switching functions and signal separation. Both types of terminal blocks ensure higher safety, easy maintenance, and a compact, function-oriented installation.

**General ordering data**

|                     |   |
|---------------------|---|
| Version             | Fuse terminal, Screw connection, beige / yellow, 4 mm <sup>2</sup> , 6.3 A, 500 V, Number of connections: 2, Number of levels: 1, TS 32 |
| Order No.           | <a href="#">0376760000</a>  |
| Type                | ASK 1   |
| GTIN (EAN)          | 4008190171346   |
| Qty.                | 100 items   |
| Alternative product | <a href="#">WSL 4</a>   |

## ASK 1

Weidmüller Interface GmbH &amp; Co. KG

Klingenbergstraße 26

D-32758 Detmold

Germany

www.weidmueller.com

## Technical data

## Approvals

Approvals



ROHS Conform

UL File Number Search [UL Website](#)

Certificate No. (UR) E60693

## Dimensions and weights

|            |         |                 |             |
|------------|---------|-----------------|-------------|
| Depth      | 43 mm   | Depth (inches)  | 1.6929 inch |
| Height     | 58 mm   | Height (inches) | 2.2835 inch |
| Width      | 8 mm    | Width (inches)  | 0.315 inch  |
| Net weight | 12.99 g |                 |             |

## Temperatures

|                                  |                |                                  |               |
|----------------------------------|----------------|----------------------------------|---------------|
| Storage temperature              | -25 °C...55 °C | Ambient temperature              | -5 °C...40 °C |
| Continuous operating temp., min. | -50 °C         | Continuous operating temp., max. | 100 °C        |

## Environmental Product Compliance

|                        |                             |
|------------------------|-----------------------------|
| RoHS Compliance Status | Compliant without exemption |
| REACH SVHC             | No SVHC above 0.1 wt%       |

## Material data

|                           |       |        |                |
|---------------------------|-------|--------|----------------|
| Basic material            | PA 66 | Colour | beige / yellow |
| UL 94 flammability rating | V-2   |        |                |

## System specifications

|                                     |  |                               |     |
|-------------------------------------|--|-------------------------------|-----|
| Version                             | Screw connection, Fuse isolator, One end without connector | End cover plate required      | Yes |
| Number of potentials                | 1  | Number of levels              | 1   |
| Number of clamping points per level | 2  | Number of potentials per tier | 1   |
| Levels cross-connected internally   | No   | PE connection                 | No  |
| Mounting rail                       | TS 32  | N-function                    | No  |
| PE function                         | No   | PEN function                  | No  |

## Additional technical data

|                  |         |                          |    |
|------------------|---------|--------------------------|----|
| Open sides       | right   | Explosion-tested version | No |
| Type of mounting | Snap-on |                          |    |

## CSA rating data

|                               |        |                       |                |
|-------------------------------|--------|-----------------------|----------------|
| Wire cross section max. (CSA) | 12 AWG | Voltage size C (CSA)  | 300 V          |
| Current size C (CSA)          | 10 A   | Certificate No. (CSA) | 200039-2372908 |
| Voltage size B (CSA)          | 300 V  | Current size B (CSA)  | 10 A           |
| Voltage size D (CSA)          | 300 V  | Current size D (CSA)  | 10 A           |
| Wire cross section min. (CSA) | 26 AWG |                       |                |

## ASK 1

Weidmüller Interface GmbH &amp; Co. KG

Klingenbergstraße 26

D-32758 Detmold

Germany

www.weidmueller.com

## Technical data

## Conductors for clamping (additional connection)

|   |                   |  |                  |
|---|-------------------|--|------------------|
| Conductor cross-section, flexible plus plastic collar DIN 46228/1, further connection, max. | 4 mm <sup>2</sup> | Connection type, additional connection | Screw connection |
|---|-------------------|--|------------------|

## Conductors for clamping (rated connection)

|   |                     |   |                     |
|---|---------------------|---|---------------------|
| Wire connection cross section AWG, max.   | AWG 8               | Connection direction  | on side             |
| Stripping length  | 12 mm               | Type of connection 2  | Screw connection    |
| Type of connection  | Screw connection    | Number of connections   | 2                   |
| Clamping range, max.  | 4 mm <sup>2</sup>   | Clamping range, min.  | 0.5 mm <sup>2</sup> |
| Wire connection cross section AWG, min.   | AWG 20              | Wire connection cross-section, finely stranded with wire-end ferrules DIN 46228/4, max. | 4 mm <sup>2</sup>   |
| Wire connection cross-section, finely stranded with wire-end ferrules DIN 46228/4, min. | 0.5 mm <sup>2</sup> | Wire connection cross-section, finely stranded with wire-end ferrules DIN 46228/1, max. | 4 mm <sup>2</sup>   |
| Wire connection cross-section, finely stranded with wire-end ferrules DIN 46228/1, min. | 0.5 mm <sup>2</sup> | Wire connection cross section, finely stranded, max.                                    | 4 mm <sup>2</sup>   |
| Wire connection cross section, finely stranded, min.                                    | 0.5 mm <sup>2</sup> | Connection cross-section, stranded, max.  | 4 mm <sup>2</sup>   |
| Connection cross-section, stranded, min.  | 0.5 mm <sup>2</sup> | Wire connection cross-section, solid core, max.   | 4 mm <sup>2</sup>   |
| Wire connection cross-section, solid core, min.   | 0.5 mm <sup>2</sup> | Connection cross-section, finely stranded, min.   | 0.5 mm <sup>2</sup> |

## Dimensions

|              |         |
|--------------|---------|
| TS 32 offset | 26.5 mm |
|--------------|---------|

## General

|   |               |   |        |
|---|---------------|---|--------|
| Wire connection cross section AWG, max. | AWG 8         | Wire connection cross section AWG, min. | AWG 20 |
| Standards                               | IEC 60947-7-3 | Mounting rail                           | TS 32  |

## Rating data

|  |                   |   |               |
|--|-------------------|---|---------------|
| Rated cross-section                          | 4 mm <sup>2</sup> | Rated voltage                               | 500 V         |
| Rated DC voltage                             | 500 V             | Nominal current                             | 6.3 A         |
| Current at maximum wires                     | 6.3 A             | Standards                                   | IEC 60947-7-3 |
| Volume resistance according to IEC 60947-7-x | 1 mΩ              | Power loss in accordance with IEC 60947-7-x | 1.02 W        |

## UL rating data

|   |        |   |        |
|---|--------|---|--------|
| Conductor size Factory wiring max. (UR) | 12 AWG | Current size C (UR)                     | 10 A   |
| Voltage size C (UR)                     | 300 V  | Conductor size Factory wiring min. (UR) | 26 AWG |
| Certificate No. (UR)                    | E60693 | Conductor size Field wiring min. (UR)   | 22 AWG |
| Conductor size Field wiring max. (UR)   | 12 AWG |   |        |

## Important note

|                     |  |
|---------------------|--|
| Product information | The voltage depends on the selected fuse element or the selected indicator light |
|---------------------|--|

## ASK 1

**Weidmüller Interface GmbH & Co. KG**  
Klingenbergstraße 26  
D-32758 Detmold  
Germany

[www.weidmueller.com](http://www.weidmueller.com)

## Technical data

### Classifications

|             |             |             |             |
|-------------|-------------|-------------|-------------|
| ETIM 8.0    | EC000899    | ETIM 9.0    | EC000899    |
| ETIM 10.0   | EC000899    | ECLASS 14.0 | 27-25-01-13 |
| ECLASS 15.0 | 27-25-01-13 |             |             |