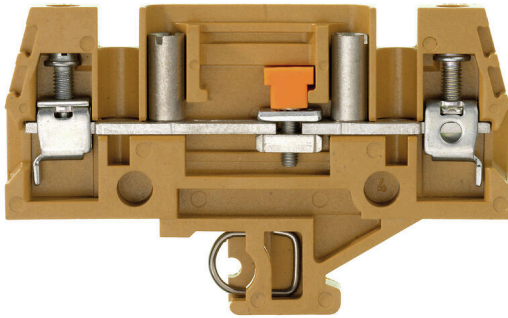


**SAKT 2/LT STB****Weidmüller Interface GmbH & Co. KG**Klingenbergstraße 26  
D-32758 Detmold  
Germany

www.weidmueller.com

**Product image**

In some applications it makes sense to add a test point or a disconnect element to the feed through terminal for testing and safety purposes. With test disconnect terminals you measure electric circuits in the absence of voltage. While the disconnecting points clearance and creepage distance is not assessed in dimensional terms, the specified rated impulse voltage strength must be proven.

**General ordering data**

Version	Test-disconnect terminal, Screw connection, medium yellow, 6 mm <sup>2</sup> , 41 A, 125 V, Number of connections: 2, Number of levels: 1
Order No.	<a href="#">0330620000</a>
Type	SAKT 2/LT STB
GTIN (EAN)	4008190048433
Qty.	50 items
Delivery status	Discontinued
Available until	2022-12-31T00:00:00+01:00
Alternative product	<a href="#">WTTB 6</a>

## SAKT 2/LT STB

Weidmüller Interface GmbH &amp; Co. KG

Klingenbergstraße 26

D-32758 Detmold

Germany

www.weidmueller.com

## Technical data

## Approvals

Approvals



ROHS Conform

UL File Number Search [UL Website](#)

Certificate No. (UR) E60693

## Dimensions and weights

Depth	52.5 mm	Depth (inches)	2.0669 inch
Height	82 mm	Height (inches)	3.2283 inch
Width	8 mm	Width (inches)	0.315 inch
Net weight	33.8 g		

## Temperatures

Storage temperature	-25 °C...55 °C	Ambient temperature	-5 °C...40 °C
Continuous operating temp., min.	-60 °C	Continuous operating temp., max.	130 °C

## Environmental Product Compliance

RoHS Compliance Status	Compliant
REACH SVHC	Lead 7439-92-1
SCIP	999cd67e-471e-4085-8dba-1342fcea86de

## Material data

Basic material	KrG	Colour	medium yellow
UL 94 flammability rating	V-0, 5VA		

## System specifications

Version	Screw connection, Special terminal longitudinal isolator, for screwable cross-connection, One end without connector	End cover plate required	Yes
Number of potentials	1	Number of levels	1
Number of clamping points per level	2	Number of potentials per tier	1
Levels cross-connected internally	No	PE connection	No
Mounting rail	TS 32	N-function	No
PE function	No	PEN function	No

## Additional technical data

Open sides	right	Number of similar terminals	1
Installation advice	Direct mounting	Explosion-tested version	No
Type of mounting	Snap-on		

## CSA rating data

Wire cross section max. (CSA)	8 AWG	Voltage size C (CSA)	300 V
Current size C (CSA)	25 A	Certificate No. (CSA)	12400-198
Wire cross section min. (CSA)	26 AWG		

## SAKT 2/LT STB

Weidmüller Interface GmbH &amp; Co. KG

Klingenbergstraße 26

D-32758 Detmold

Germany

www.weidmueller.com

## Technical data

## Conductors for clamping (rated connection)

Gauge to IEC 60947-1	A5	Connection direction	on side
Tightening torque, max.	1.6 Nm	Tightening torque, min.	1.2 Nm
Stripping length	12 mm	Type of connection	Screw connection
Number of connections	2	Clamping range, max.	10 mm <sup>2</sup>
Clamping range, min.	0.5 mm <sup>2</sup>	Clamping screw	M 3.5
Blade size	4.0 x 0.8 mm	Wire connection cross-section, finely stranded with wire-end ferrules DIN 46228/1, max.	6 mm <sup>2</sup>
Wire connection cross-section, finely stranded with wire-end ferrules DIN 46228/1, min.	0.5 mm <sup>2</sup>	Wire connection cross section, finely stranded, max.	6 mm <sup>2</sup>
Wire connection cross section, finely stranded, min.	0.5 mm <sup>2</sup>	Connection cross-section, stranded, max.	10 mm <sup>2</sup>
Connection cross-section, stranded, min. 1.5 mm <sup>2</sup>		Torque level with DMS electric screwdriver	3
Wire connection cross-section, solid core, max.	10 mm <sup>2</sup>	Wire connection cross-section, solid core, min.	0.5 mm <sup>2</sup>

## General

Installation advice	Direct mounting	Standards	IEC 60947-7-1
Mounting rail	TS 32		

## Rating data

Rated cross-section	6 mm <sup>2</sup>	Rated voltage	125 V
Rated DC voltage	125 V	Nominal current	41 A
Current at maximum wires	46 A	Standards	IEC 60947-7-1
Volume resistance according to IEC 60947-7-x	0.78 mΩ	Rated impulse withstand voltage	6 kV
Power loss in accordance with IEC 60947-7-x	1.31 W	Pollution severity	3

## UL rating data

Conductor size Factory wiring max. (UR)	8 AWG	Current size C (UR)	25 A
Voltage size C (UR)	300 V	Conductor size Factory wiring min. (UR)	26 AWG
Certificate No. (UR)	E60693	Conductor size Field wiring min. (UR)	22 AWG
Conductor size Field wiring max. (UR)	8 AWG		

## Classifications

ETIM 8.0	EC000902	ETIM 9.0	EC000902
ETIM 10.0	EC000902	ECLASS 14.0	27-25-01-09
ECLASS 15.0	27-25-01-09		

## SAKT 2/LT STB

**Weidmüller Interface GmbH & Co. KG**  
 Klingenbergstraße 26  
 D-32758 Detmold  
 Germany

www.weidmueller.com

## Accessories

## Disconnect plugs



In contrast to the terminal blocks with integrated disconnect lever, our disconnect plugs can be completely detached or removed from the terminal block and the respective application and offer a flexible alternative solution to our standard disconnectors.

## General ordering data

Type	QL 2 SAK6N	Version
Order No.	<a href="#">0194300000</a>	Cross-connector (terminal), when screwed in, grey, 41 A, Number of
GTIN (EAN)	4008190182854	poles: 2, Pitch in mm (P): 7.90, Insulated: No, Width: 13.9 mm
Qty.	50 ST	

## Cross-connections



The distribution or multiplication of a potential to adjoining terminal blocks is realized via a cross-connection. Additional wiring effort can be easily avoided. Even if the poles are broken out, contact reliability in the terminal blocks is still ensured. Our portfolio offers pluggable and screwable cross-connection systems for modular terminal blocks.

## General ordering data

Type	QL 3 SAK6N	Version
Order No.	<a href="#">0194400000</a>	Cross-connector (terminal), when screwed in, grey, 41 A, Number of
GTIN (EAN)	4008190063351	poles: 3, Pitch in mm (P): 7.90, Insulated: No, Width: 21.8 mm
Qty.	50 ST	
Type	QL 4 SAK6N	Version
Order No.	<a href="#">0194500000</a>	Cross-connector (terminal), when screwed in, grey, 57 A, Number of
GTIN (EAN)	4008190025601	poles: 4, Pitch in mm (P): 7.90, Insulated: No, Width: 29.7 mm
Qty.	50 ST	
Type	QL 10 SAK6N	Version
Order No.	<a href="#">0338300000</a>	Cross-connector (terminal), when screwed in, grey, 41 A, Number of
GTIN (EAN)	4008190176679	poles: 10, Pitch in mm (P): 7.90, Insulated: No, Width: 77.1 mm
Qty.	20 ST	
Type	QL 15 SAK6N	Version
Order No.	<a href="#">0221200000</a>	Cross-connector (terminal), when screwed in, grey, 32 A, Number of
GTIN (EAN)	4008190042110	poles: 15, Pitch in mm (P): 7.90, Insulated: No, Width: 116.6 mm
Qty.	10 ST	

## SAKT 2/LT STB

Weidmüller Interface GmbH &amp; Co. KG

Klingenbergstraße 26

D-32758 Detmold

Germany

## Accessories

www.weidmueller.com

## End plates and partition plates

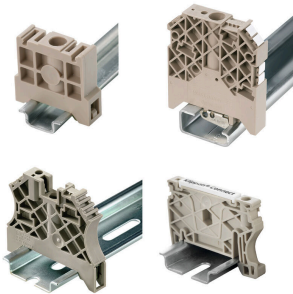


Partition plates and end plates are essential accessories for terminal blocks. Partition plates provide optical and electrical separation of different potentials and functional groups, increasing safety and ensuring a clear structure inside the control cabinet. End plates close the terminal block row on the sides, protect against contact with live parts, and ensure a clean, stable finish. Both components are precisely matched to the respective Weidmüller terminal block series, contributing to safe, compliant, and professional wiring.

## General ordering data

Type	AP SAKB/C/T KRГ	Version
Order No.	<a href="#">0146720000</a>	End plate for terminals, dark beige, yellow, Height: 65 mm, Width: 3 mm, V-0, KrG, Snap-on: Yes
GTIN (EAN)	4008190027995	
Qty.	20 ST	
Type	TW SAKB/C/T	Version
Order No.	<a href="#">0242920000</a>	Partition plate (terminal), beige, Height: 75 mm, Width: 3 mm, V-2, KrG
GTIN (EAN)	4008190069933	
Qty.	20 ST	
Type	TW SAKB/C/T1	Version
Order No.	<a href="#">0242960000</a>	Partition plate (terminal), beige, Height: 75 mm, Width: 1.5 mm, V-2, KrG
GTIN (EAN)	4008190104092	
Qty.	20 ST	

## End bracket



Weidmüller's range of products includes end brackets that guarantee a permanent, reliable mounting on the terminal rail and prevent sliding. Versions with and without screws are available. The end brackets include marking options, also for group markers, and also a test plug holder.

## General ordering data

Type	EW 15	Version
Order No.	<a href="#">0382860000</a>	End bracket, beige, TS 15, V-2, Polyamide 66, Width: 10 mm, 100 °C
GTIN (EAN)	4008190187804	
Qty.	50 ST	
Type	EW 15/2	Version
Order No.	<a href="#">1071900000</a>	End bracket, dark beige, TS 15, HB, Plastic, Width: 8 mm, 100 °C
GTIN (EAN)	4008190462949	
Qty.	50 ST	
Type	EW 35	Version
Order No.	<a href="#">0383560000</a>	End bracket, beige, TS 35, V-2, Wemid, Width: 8.5 mm, 100 °C
GTIN (EAN)	4008190181314	
Qty.	50 ST	

## SAKT 2/LT STB

**Weidmüller Interface GmbH & Co. KG**  
 Klingenbergstraße 26  
 D-32758 Detmold  
 Germany

www.weidmueller.com

## Accessories

Type	EW 35 GR 7032	Version
Order No.	<a href="#">0383530000</a>	End bracket, grey, TS 35, V-0, Wemid, Width: 9 mm, 120 °C
GTIN (EAN)	4008190027322	
Qty.	50 ST	
Type	EW 35/SCHA/M3	Version
Order No.	<a href="#">0258660000</a>	End bracket, beige, TS 35, V-2, Wemid, Width: 16.5 mm, 100 °C
GTIN (EAN)	4008190033477	
Qty.	20 ST	
Type	EWK 1	Version
Order No.	<a href="#">0206160000</a>	End bracket, beige, TS 32, V-0, Wemid, Width: 9 mm, 100 °C
GTIN (EAN)	4008190080020	
Qty.	50 ST	
Type	EWK 1 ALT	Version
Order No.	<a href="#">0495160000</a>	End bracket, beige, TS 32, V-2, Polyamide 66, Width: 8 mm, 100 °C
GTIN (EAN)	4008190160777	
Qty.	50 ST	
Type	EWK 2	Version
Order No.	<a href="#">0199360000</a>	End bracket, beige, TS 32, V-0, Wemid, Width: 15 mm, 100 °C
GTIN (EAN)	4008190023546	
Qty.	50 ST	
Type	WEW 32/1	Version
Order No.	<a href="#">1067600000</a>	End bracket, dark beige, TS 32, V-2, PA 66 GF 30, Width: 12 mm, 100 °C
GTIN (EAN)	4008190099657	
Qty.	50 ST	
Type	WEW 35/1	Version
Order No.	<a href="#">1059000000</a>	End bracket, dark beige, TS 35, V-2, Wemid, Width: 12 mm, 100 °C
GTIN (EAN)	4008190172282	
Qty.	50 ST	
Type	WEW 35/2	Version
Order No.	<a href="#">1061200000</a>	End bracket, dark beige, TS 35, HB, Wemid, Width: 8 mm, 100 °C
GTIN (EAN)	4008190030230	
Qty.	50 ST	
Type	ZEW 15	Version
Order No.	<a href="#">7920340000</a>	End bracket, beige, TS 15, V-2, Plastic, Width: 5 mm, 120 °C
GTIN (EAN)	4032248238910	
Qty.	20 ST	
Type	ZEW 35	Version
Order No.	<a href="#">9540000000</a>	End bracket, dark beige, TS 35, V-2, Wemid, Width: 6 mm, 100 °C
GTIN (EAN)	4008190956264	
Qty.	20 ST	
Type	ZEW 35/2	Version
Order No.	<a href="#">8630740000</a>	End bracket, dark beige, TS 35, V-2, Wemid, Width: 8 mm, 100 °C
GTIN (EAN)	4032248348916	
Qty.	20 ST	

## SAKT 2/LT STB

Weidmüller Interface GmbH &amp; Co. KG

Klingenbergstraße 26

D-32758 Detmold

Germany

www.weidmueller.com

## Accessories

## Accessorie



Current and voltage transformer wiring  
Our test disconnect terminal blocks featuring spring and screw connection technology allow you to create all the important converter circuits for measuring current, voltage and power in a safe and sophisticated way.

## General ordering data

Type	QVS 2 SAKT1+2	Version	
Order No.	<a href="#">0307300000</a>	Cross-connector (terminal), when screwed in, beige, 41 A, Number of poles: 2, Pitch in mm (P): 12.00, Insulated: Yes, Width: 15.4 mm	
GTIN (EAN)	4008190036140		
Qty.	20 ST		

## Cross-connections



The distribution or multiplication of a potential to adjoining terminal blocks is realized via a cross-connection. Additional wiring effort can be easily avoided. Even if the poles are broken out, contact reliability in the terminal blocks is still ensured. Our portfolio offers pluggable and screwable cross-connection systems for modular terminal blocks.

## General ordering data

Type	QVS 2/S SAKT1+2	Version	
Order No.	<a href="#">0358460000</a>	Cross-connector (terminal), when screwed in, beige, 41 A, Number of poles: 2, Pitch in mm (P): 12.00, Insulated: Yes, Width: 15.4 mm	
GTIN (EAN)	4008190157937		
Qty.	20 ST		

## Accessorie



Current and voltage transformer wiring  
Our test disconnect terminal blocks featuring spring and screw connection technology allow you to create all the important converter circuits for measuring current, voltage and power in a safe and sophisticated way.

## General ordering data

Type	QVS 3 SAKT1+2	Version	
Order No.	<a href="#">0329300000</a>	Cross-connector (terminal), when screwed in, beige, 41 A, Number of poles: 3, Pitch in mm (P): 12.00, Insulated: Yes, Width: 22 mm	
GTIN (EAN)	4008190084714		
Qty.	20 ST		

## SAKT 2/LT STB

**Weidmüller Interface GmbH & Co. KG**  
 Klingenbergstraße 26  
 D-32758 Detmold  
 Germany

www.weidmueller.com

## Accessories

### Mounting support



We offer a broad portfolio of mounting support for easy handling and supplementation of our products. From various tools to insulating sleeves and various screws, our components are matched to each other down to the last detail and thus facilitate assembly in compliance with the respective standards and protective regulations.

### General ordering data

Type	BS 25 IH/SW SAKT1	Version	
Order No.	<a href="#">0335200000</a>	Mounting screw (Terminal), 3.00 mm, Steel, Brass, Depth: 28.7 mm,	
GTIN (EAN)	4008190114039	Width: 5.5 mm, Height: 5.5 mm	
Qty.	50 ST		

### Accessorie

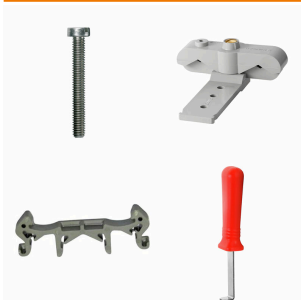


**Current and voltage transformer wiring**  
 Our test disconnect terminal blocks featuring spring and screw connection technology allow you to create all the important converter circuits for measuring current, voltage and power in a safe and sophisticated way.

### General ordering data

Type	BS 25 IH/GR SAKT1	Version	
Order No.	<a href="#">0335300000</a>	Mounting screw (Terminal), 3.00 mm, Steel, Brass, Depth: 28.7 mm,	
GTIN (EAN)	4008190136864	Width: 5.5 mm, Height: 5.5 mm	
Qty.	50 ST		

### Mounting support



We offer a broad portfolio of mounting support for easy handling and supplementation of our products. From various tools to insulating sleeves and various screws, our components are matched to each other down to the last detail and thus facilitate assembly in compliance with the respective standards and protective regulations.

### General ordering data

Type	BS 25 IH/RT SAKT1	Version	
Order No.	<a href="#">0335500000</a>	Mounting screw (Terminal), 3.00 mm, Steel, Brass, Depth: 28.7 mm,	
GTIN (EAN)	4008190118877	Width: 5.5 mm, Height: 5.5 mm	
Qty.	50 ST		

## SAKT 2/LT STB

**Weidmüller Interface GmbH & Co. KG**  
 Klingenbergstraße 26  
 D-32758 Detmold  
 Germany

www.weidmueller.com

## Accessories

Type	BS 25 IH/GE SAKT1	Version
Order No.	<a href="#">0335700000</a>	Mounting screw (Terminal), 3.00 mm, Steel, Brass, Depth: 28.7 mm,
GTIN (EAN)	4008190189235	Width: 5.5 mm, Height: 5.5 mm
Qty.	50 ST	
Type	KISC M3X20 SAK10 CU5	Version
Order No.	<a href="#">0377100000</a>	SAK Series, Mounting screw, Copper
GTIN (EAN)	4008190060350	
Qty.	100 ST	

## Testadapter and testsockets

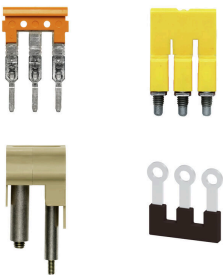


Test adapters and test plugs are used for the electrical connection between terminal blocks and the test equipment. In this way, an electrical contact can be established in the wired state and measurements can be done easily.

## General ordering data

Type	PS 4 F.STB 4	Version
Order No.	<a href="#">0299600000</a>	Test adapter (terminal), 230 V
GTIN (EAN)	4008190074043	
Qty.	20 ST	

## Cross-connections



The distribution or multiplication of a potential to adjoining terminal blocks is realized via a cross-connection. Additional wiring effort can be easily avoided. Even if the poles are broken out, contact reliability in the terminal blocks is still ensured. Our portfolio offers pluggable and screwable cross-connection systems for modular terminal blocks.

## General ordering data

Type	VH 12/4.9/3.3	Version
Order No.	<a href="#">0249000000</a>	Connecting sleeve (terminal), when screwed in, Width: 4.9 mm,
GTIN (EAN)	4008190129507	Height: 4.9 mm, Depth: 12 mm, Number of poles: 1, Copper
Qty.	100 ST	
Type	VH 19/6.3/4.3	Version
Order No.	<a href="#">0318000000</a>	Connecting sleeve (terminal), when screwed in, Width: 6 mm, Height:
GTIN (EAN)	4008190059460	6 mm, Depth: 19 mm, Number of poles: 1, Cu Zn
Qty.	50 ST	

## SAKT 2/LT STB

**Weidmüller Interface GmbH & Co. KG**  
 Klingenbergstraße 26  
 D-32758 Detmold  
 Germany

www.weidmueller.com

## Accessories

## Disconnect plugs



In contrast to the terminal blocks with integrated disconnect lever, our disconnect plugs can be completely detached or removed from the terminal block and the respective application and offer a flexible alternative solution to our standard disconnectors.

## General ordering data

Type	SSP 3 SAKT1	Version	
Order No.	<a href="#">0531760000</a>	Lockout device (terminal), orange	
GTIN (EAN)	4008190130787		
Qty.	100 ST		

## Cross-connections



The distribution or multiplication of a potential to adjoining terminal blocks is realized via a cross-connection. Additional wiring effort can be easily avoided. Even if the poles are broken out, contact reliability in the terminal blocks is still ensured. Our portfolio offers pluggable and screwable cross-connection systems for modular terminal blocks.

## General ordering data

Type	QS 2/8/4	Version	
Order No.	<a href="#">0270960000</a>	Cross-connector (terminal), Plugged, beige, 44 A, Number of poles: 2,	
GTIN (EAN)	4008190077006	Pitch in mm (P): 8.00, Insulated: Yes, Width: 12 mm	
Qty.	20 ST		

## Custom printing



The Dekafix (DEK) marker is the universal marker for all conductor and plug-in connectors as well as for electronic sub-assemblies. The system is ideal for short number sequences and covers a wide range of ready-printed markers.

Strips for fast installation in only one work step. The printing is easy to read, rich in contrast and available in various widths.

- Large range of ready-to-use markers
  - Strips for fast installation
  - Terminal markers, suitable for all Weidmüller cable connectors
  - Available as blank MultiCard or with standard printing
- For custom printing: Please send us a file of our labeling software M-Print PRO or M-Print PRO Online (without installation) for your labeling specifications.

## SAKT 2/LT STB

**Weidmüller Interface GmbH & Co. KG**  
 Klingenbergstraße 26  
 D-32758 Detmold  
 Germany

www.weidmueller.com

## Accessories

## General ordering data

Type	DEK 5/6.5 MC SDR	Version	
Order No.	<a href="#">1609850000</a>	Dekafix, Terminal marker, 5 x 6.5 mm, Pitch in mm (P): 6.50	
GTIN (EAN)	4008190456610	Weidmueller, To customer specification	
Qty.	180 ST		

## Blank



The Dekafix (DEK) marker is the universal marker for all conductor and plug-in connectors as well as for electronic sub-assemblies. The system is ideal for short number sequences and covers a wide range of ready-printed markers.

Strips for fast installation in only one work step. The printing is easy to read, rich in contrast and available in various widths.

- Large range of ready-to-use markers
  - Strips for fast installation
  - Terminal markers, suitable for all Weidmüller cable connectors
  - Available as blank MultiCard or with standard printing
- For custom printing: Please send us a file of our labeling software M-Print PRO or M-Print PRO Online (without installation) for your labeling specifications.

## General ordering data

Type	DEK 5/6.5 MC NE WS	Version	
Order No.	<a href="#">1609840000</a>	Dekafix, Terminal marker, 5 x 6.5 mm, Pitch in mm (P): 6.50	
GTIN (EAN)	4008190203429	Weidmueller, white	
Qty.	900 ST		

## Marker holder



The marker holder offer the possibility of additional mounting of standard markers with a pitch of 5 or 5.1 mm. The angled holders can be optionally snapped together and could be mounted in all standard marking channels of the Klippon® Connect modular terminal blocks. Fitting marker types could be found under the respective accessories of the designation marking holder.

## General ordering data

Type	BZT 1 WS 10/5	Version	
Order No.	<a href="#">1805490000</a>	Accessories, Marker holder	
GTIN (EAN)	4032248270231		
Qty.	100 ST		
Type	BZT 1 ZA WS 10/5	Version	
Order No.	<a href="#">1805520000</a>	Accessories, Marker holder	
GTIN (EAN)	4032248270248		
Qty.	100 ST		