

SAKT 1/LT

Weidmüller Interface GmbH & Co. KG

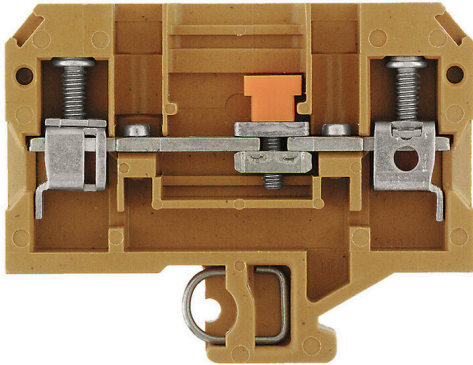
Klingenbergstraße 26

D-32758 Detmold

Germany

www.weidmueller.com

Product image



In some applications it makes sense to add a test point or a disconnect element to the feed through terminal for testing and safety purposes. With test disconnect terminals you measure electric circuits in the absence of voltage. While the disconnecting points clearance and creepage distance is not assessed in dimensional terms, the specified rated impulse voltage strength must be proven.

General ordering data

| | |
|---------------------|---|
| Version | Test-disconnect terminal, Screw connection, medium yellow, 6 mm ² , 41 A, 400 V, Number of connections: 2, Number of levels: 1 |
| Order No. | 0269120000 |
| Type | SAKT 1/LT |
| GTIN (EAN) | 4008190185978 |
| Qty. | 50 items |
| Delivery status | Discontinued |
| Available until | 2022-12-31T00:00:00+01:00 |
| Alternative product | WTTB 6 |

SAKT 1/LT

Weidmüller Interface GmbH & Co. KG
 Klingenbergstraße 26
 D-32758 Detmold
 Germany

www.weidmueller.com

Technical data

Approvals

Approvals



ROHS Conform

UL File Number Search [UL Website](#)

Certificate No. (UR) E60693

Dimensions and weights

| | | | |
|------------|---------|-----------------|-------------|
| Depth | 52.5 mm | Depth (inches) | 2.0669 inch |
| Height | 65 mm | Height (inches) | 2.5591 inch |
| Width | 8 mm | Width (inches) | 0.315 inch |
| Net weight | 25.4 g | | |

Temperatures

| | | | |
|----------------------------------|----------------|----------------------------------|---------------|
| Storage temperature | -25 °C...55 °C | Ambient temperature | -5 °C...40 °C |
| Continuous operating temp., min. | -60 °C | Continuous operating temp., max. | 130 °C |

Environmental Product Compliance

| | |
|------------------------|-----------------------|
| RoHS Compliance Status | Compliant |
| REACH SVHC | No SVHC above 0.1 wt% |

Material data

| | | | |
|---------------------------|----------|--------|---------------|
| Basic material | KrG | Colour | medium yellow |
| UL 94 flammability rating | V-0, 5VA | | |

System specifications

| | | | |
|-------------------------------------|---|-------------------------------|-----|
| Version | Screw connection, Special terminal longitudinal isolator, One end without connector | End cover plate required | Yes |
| Number of potentials | 1 | Number of levels | 1 |
| Number of clamping points per level | 2 | Number of potentials per tier | 1 |
| Levels cross-connected internally | No | PE connection | No |
| Mounting rail | TS 32 | N-function | No |
| PE function | No | PEN function | No |

Additional technical data

| | | | |
|---------------------|-----------------|-----------------------------|----|
| Open sides | right | Number of similar terminals | 1 |
| Installation advice | Direct mounting | Explosion-tested version | No |
| Type of mounting | Snap-on | | |

CSA rating data

| | | | |
|-------------------------------|--------|-----------------------|-----------|
| Wire cross section max. (CSA) | 8 AWG | Voltage size C (CSA) | 300 V |
| Current size C (CSA) | 25 A | Certificate No. (CSA) | 12400-198 |
| Wire cross section min. (CSA) | 26 AWG | | |

SAKT 1/LT

Weidmüller Interface GmbH & Co. KG

Klingenbergstraße 26

D-32758 Detmold

Germany

www.weidmueller.com

Technical data

Conductors for clamping (rated connection)

| | | | |
|---|---------------------|---|----------------------|
| Gauge to IEC 60947-1 | A5 | Wire connection cross section AWG, max. | AWG 8 |
| Connection direction | on side | Tightening torque, max. | 1.6 Nm |
| Tightening torque, min. | 0.8 Nm | Stripping length | 12 mm |
| Type of connection | Screw connection | Number of connections | 2 |
| Clamping range, max. | 10 mm ² | Clamping range, min. | 0.13 mm ² |
| Clamping screw | M 3.5 | Blade size | 4.0 x 0.8 mm |
| Wire connection cross section AWG, min. | AWG 26 | Wire connection cross-section, finely stranded with wire-end ferrules DIN 46228/1, max. | 6 mm ² |
| Wire connection cross-section, finely stranded with wire-end ferrules DIN 46228/1, min. | 0.5 mm ² | Wire connection cross section, finely stranded, max. | 6 mm ² |
| Wire connection cross section, finely stranded, min. | 0.5 mm ² | Connection cross-section, stranded, max. | 10 mm ² |
| Connection cross-section, stranded, min. | 1.5 mm ² | Torque level with DMS electric screwdriver | 3 |
| Wire connection cross-section, solid core, max. | 10 mm ² | Wire connection cross-section, solid core, min. | 0.5 mm ² |

General

| | | | |
|---|--------|---------------------|-----------------|
| Wire connection cross section AWG, max. | AWG 8 | Installation advice | Direct mounting |
| Wire connection cross section AWG, min. | AWG 26 | Standards | IEC 60947-7-1 |
| Mounting rail | TS 32 | | |

Rating data

| | | | |
|--|-------------------|---------------------------------|---------------|
| Rated cross-section | 6 mm ² | Rated voltage | 400 V |
| Rated DC voltage | 400 V | Nominal current | 41 A |
| Current at maximum wires | 57 A | Standards | IEC 60947-7-1 |
| Volume resistance according to IEC 60947-7-x | 0.78 mΩ | Rated impulse withstand voltage | 6 kV |
| Power loss in accordance with IEC 60947-7-x | 1.31 W | Pollution severity | 3 |

UL rating data

| | | | |
|---|--------|---|--------|
| Conductor size Factory wiring max. (UR) | 8 AWG | Current size C (UR) | 25 A |
| Voltage size C (UR) | 300 V | Conductor size Factory wiring min. (UR) | 26 AWG |
| Certificate No. (UR) | E60693 | Conductor size Field wiring min. (UR) | 22 AWG |
| Conductor size Field wiring max. (UR) | 8 AWG | | |

Classifications

| | | | |
|-------------|-------------|-------------|-------------|
| ETIM 8.0 | EC000902 | ETIM 9.0 | EC000902 |
| ETIM 10.0 | EC000902 | ECLASS 14.0 | 27-25-01-09 |
| ECLASS 15.0 | 27-25-01-09 | | |

SAKT 1/LT

Weidmüller Interface GmbH & Co. KG
 Klingenbergstraße 26
 D-32758 Detmold
 Germany

www.weidmueller.com

Accessories

Disconnect plugs



In contrast to the terminal blocks with integrated disconnect lever, our disconnect plugs can be completely detached or removed from the terminal block and the respective application and offer a flexible alternative solution to our standard disconnectors.

General ordering data

| | | |
|------------|----------------------------|--|
| Type | QL 2 SAK6N | Version |
| Order No. | 0194300000 | Cross-connector (terminal), when screwed in, grey, 41 A, Number of |
| GTIN (EAN) | 4008190182854 | poles: 2, Pitch in mm (P): 7.90, Insulated: No, Width: 13.9 mm |
| Qty. | 50 ST | |

Cross-connections



The distribution or multiplication of a potential to adjoining terminal blocks is realized via a cross-connection. Additional wiring effort can be easily avoided. Even if the poles are broken out, contact reliability in the terminal blocks is still ensured. Our portfolio offers pluggable and screwable cross-connection systems for modular terminal blocks.

General ordering data

| | | |
|------------|----------------------------|--|
| Type | QL 3 SAK6N | Version |
| Order No. | 0194400000 | Cross-connector (terminal), when screwed in, grey, 41 A, Number of |
| GTIN (EAN) | 4008190063351 | poles: 3, Pitch in mm (P): 7.90, Insulated: No, Width: 21.8 mm |
| Qty. | 50 ST | |
| Type | QL 4 SAK6N | Version |
| Order No. | 0194500000 | Cross-connector (terminal), when screwed in, grey, 57 A, Number of |
| GTIN (EAN) | 4008190025601 | poles: 4, Pitch in mm (P): 7.90, Insulated: No, Width: 29.7 mm |
| Qty. | 50 ST | |
| Type | QL 10 SAK6N | Version |
| Order No. | 0338300000 | Cross-connector (terminal), when screwed in, grey, 41 A, Number of |
| GTIN (EAN) | 4008190176679 | poles: 10, Pitch in mm (P): 7.90, Insulated: No, Width: 77.1 mm |
| Qty. | 20 ST | |
| Type | QL 15 SAK6N | Version |
| Order No. | 0221200000 | Cross-connector (terminal), when screwed in, grey, 32 A, Number of |
| GTIN (EAN) | 4008190042110 | poles: 15, Pitch in mm (P): 7.90, Insulated: No, Width: 116.6 mm |
| Qty. | 10 ST | |

SAKT 1/LT

Weidmüller Interface GmbH & Co. KG

Klingenbergstraße 26

D-32758 Detmold

Germany

Accessories

www.weidmueller.com

End plates and partition plates

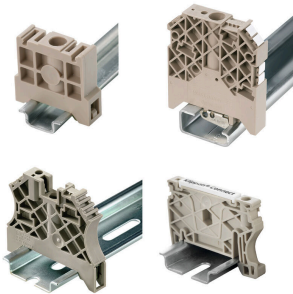


Partition plates and end plates are essential accessories for terminal blocks. Partition plates provide optical and electrical separation of different potentials and functional groups, increasing safety and ensuring a clear structure inside the control cabinet. End plates close the terminal block row on the sides, protect against contact with live parts, and ensure a clean, stable finish. Both components are precisely matched to the respective Weidmüller terminal block series, contributing to safe, compliant, and professional wiring.

General ordering data

| | | |
|------------|----------------------------|---|
| Type | AP SAKB/C/T KRГ | Version |
| Order No. | 0146720000 | End plate for terminals, dark beige, yellow, Height: 65 mm, Width: 3 mm, V-0, KrG, Snap-on: Yes |
| GTIN (EAN) | 4008190027995 | |
| Qty. | 20 ST | |
| Type | TW SAKB/C/T | Version |
| Order No. | 0242920000 | Partition plate (terminal), beige, Height: 75 mm, Width: 3 mm, V-2, KrG |
| GTIN (EAN) | 4008190069933 | |
| Qty. | 20 ST | |
| Type | TW SAKB/C/T1 | Version |
| Order No. | 0242960000 | Partition plate (terminal), beige, Height: 75 mm, Width: 1.5 mm, V-2, KrG |
| GTIN (EAN) | 4008190104092 | |
| Qty. | 20 ST | |

End bracket



Weidmüller's range of products includes end brackets that guarantee a permanent, reliable mounting on the terminal rail and prevent sliding. Versions with and without screws are available. The end brackets include marking options, also for group markers, and also a test plug holder.

General ordering data

| | | |
|------------|----------------------------|--|
| Type | EW 15 | Version |
| Order No. | 0382860000 | End bracket, beige, TS 15, V-2, Polyamide 66, Width: 10 mm, 100 °C |
| GTIN (EAN) | 4008190187804 | |
| Qty. | 50 ST | |
| Type | EW 15/2 | Version |
| Order No. | 1071900000 | End bracket, dark beige, TS 15, HB, Plastic, Width: 8 mm, 100 °C |
| GTIN (EAN) | 4008190462949 | |
| Qty. | 50 ST | |
| Type | EW 35 | Version |
| Order No. | 0383560000 | End bracket, beige, TS 35, V-2, Wemid, Width: 8.5 mm, 100 °C |
| GTIN (EAN) | 4008190181314 | |
| Qty. | 50 ST | |

SAKT 1/LT

Weidmüller Interface GmbH & Co. KG
 Klingenbergstraße 26
 D-32758 Detmold
 Germany

www.weidmueller.com

Accessories

| | | |
|------------|----------------------------|--|
| Type | EW 35 GR 7032 | Version |
| Order No. | 0383530000 | End bracket, grey, TS 35, V-0, Wemid, Width: 9 mm, 120 °C |
| GTIN (EAN) | 4008190027322 | |
| Qty. | 50 ST | |
| Type | EW 35/SCHA/M3 | Version |
| Order No. | 0258660000 | End bracket, beige, TS 35, V-2, Wemid, Width: 16.5 mm, 100 °C |
| GTIN (EAN) | 4008190033477 | |
| Qty. | 20 ST | |
| Type | EWK 1 | Version |
| Order No. | 0206160000 | End bracket, beige, TS 32, V-0, Wemid, Width: 9 mm, 100 °C |
| GTIN (EAN) | 4008190080020 | |
| Qty. | 50 ST | |
| Type | EWK 1 ALT | Version |
| Order No. | 0495160000 | End bracket, beige, TS 32, V-2, Polyamide 66, Width: 8 mm, 100 °C |
| GTIN (EAN) | 4008190160777 | |
| Qty. | 50 ST | |
| Type | EWK 2 | Version |
| Order No. | 0199360000 | End bracket, beige, TS 32, V-0, Wemid, Width: 15 mm, 100 °C |
| GTIN (EAN) | 4008190023546 | |
| Qty. | 50 ST | |
| Type | WEW 32/1 | Version |
| Order No. | 1067600000 | End bracket, dark beige, TS 32, V-2, PA 66 GF 30, Width: 12 mm, 100 °C |
| GTIN (EAN) | 4008190099657 | |
| Qty. | 50 ST | |
| Type | WEW 35/1 | Version |
| Order No. | 1059000000 | End bracket, dark beige, TS 35, V-2, Wemid, Width: 12 mm, 100 °C |
| GTIN (EAN) | 4008190172282 | |
| Qty. | 50 ST | |
| Type | WEW 35/2 | Version |
| Order No. | 1061200000 | End bracket, dark beige, TS 35, HB, Wemid, Width: 8 mm, 100 °C |
| GTIN (EAN) | 4008190030230 | |
| Qty. | 50 ST | |
| Type | ZEW 15 | Version |
| Order No. | 7920340000 | End bracket, beige, TS 15, V-2, Plastic, Width: 5 mm, 120 °C |
| GTIN (EAN) | 4032248238910 | |
| Qty. | 20 ST | |
| Type | ZEW 35 | Version |
| Order No. | 9540000000 | End bracket, dark beige, TS 35, V-2, Wemid, Width: 6 mm, 100 °C |
| GTIN (EAN) | 4008190956264 | |
| Qty. | 20 ST | |
| Type | ZEW 35/2 | Version |
| Order No. | 8630740000 | End bracket, dark beige, TS 35, V-2, Wemid, Width: 8 mm, 100 °C |
| GTIN (EAN) | 4032248348916 | |
| Qty. | 20 ST | |

SAKT 1/LT

Weidmüller Interface GmbH & Co. KG

Klingenbergstraße 26

D-32758 Detmold

Germany

Accessories

www.weidmueller.com

Accessorie



Current and voltage transformer wiring
Our test disconnect terminal blocks featuring spring and screw connection technology allow you to create all the important converter circuits for measuring current, voltage and power in a safe and sophisticated way.

General ordering data

| | | | |
|------------|----------------------------|--|--|
| Type | QVS 2 SAKT1+2 | Version | |
| Order No. | 0307300000 | Cross-connector (terminal), when screwed in, beige, 41 A, Number of poles: 2, Pitch in mm (P): 12.00, Insulated: Yes, Width: 15.4 mm | |
| GTIN (EAN) | 4008190036140 | | |
| Qty. | 20 ST | | |

Cross-connections



The distribution or multiplication of a potential to adjoining terminal blocks is realized via a cross-connection. Additional wiring effort can be easily avoided. Even if the poles are broken out, contact reliability in the terminal blocks is still ensured. Our portfolio offers pluggable and screwable cross-connection systems for modular terminal blocks.

General ordering data

| | | | |
|------------|----------------------------|--|--|
| Type | QVS 2/S SAKT1+2 | Version | |
| Order No. | 0358460000 | Cross-connector (terminal), when screwed in, beige, 41 A, Number of poles: 2, Pitch in mm (P): 12.00, Insulated: Yes, Width: 15.4 mm | |
| GTIN (EAN) | 4008190157937 | | |
| Qty. | 20 ST | | |

Accessorie



Current and voltage transformer wiring
Our test disconnect terminal blocks featuring spring and screw connection technology allow you to create all the important converter circuits for measuring current, voltage and power in a safe and sophisticated way.

General ordering data

| | | | |
|------------|----------------------------|--|--|
| Type | QVS 3 SAKT1+2 | Version | |
| Order No. | 0329300000 | Cross-connector (terminal), when screwed in, beige, 41 A, Number of poles: 3, Pitch in mm (P): 12.00, Insulated: Yes, Width: 22 mm | |
| GTIN (EAN) | 4008190084714 | | |
| Qty. | 20 ST | | |

SAKT 1/LT

Weidmüller Interface GmbH & Co. KG
 Klingenbergstraße 26
 D-32758 Detmold
 Germany

www.weidmueller.com

Accessories

Mounting support



We offer a broad portfolio of mounting support for easy handling and supplementation of our products. From various tools to insulating sleeves and various screws, our components are matched to each other down to the last detail and thus facilitate assembly in compliance with the respective standards and protective regulations.

General ordering data

| | | | |
|------------|----------------------------|---|--|
| Type | BS 25 IH/SW SAKT1 | Version | |
| Order No. | 0335200000 | Mounting screw (Terminal), 3.00 mm, Steel, Brass, Depth: 28.7 mm, | |
| GTIN (EAN) | 4008190114039 | Width: 5.5 mm, Height: 5.5 mm | |
| Qty. | 50 ST | | |

Accessorie



Current and voltage transformer wiring
 Our test disconnect terminal blocks featuring spring and screw connection technology allow you to create all the important converter circuits for measuring current, voltage and power in a safe and sophisticated way.

General ordering data

| | | | |
|------------|----------------------------|---|--|
| Type | BS 25 IH/GR SAKT1 | Version | |
| Order No. | 0335300000 | Mounting screw (Terminal), 3.00 mm, Steel, Brass, Depth: 28.7 mm, | |
| GTIN (EAN) | 4008190136864 | Width: 5.5 mm, Height: 5.5 mm | |
| Qty. | 50 ST | | |

Mounting support



We offer a broad portfolio of mounting support for easy handling and supplementation of our products. From various tools to insulating sleeves and various screws, our components are matched to each other down to the last detail and thus facilitate assembly in compliance with the respective standards and protective regulations.

General ordering data

| | | | |
|------------|----------------------------|---|--|
| Type | BS 25 IH/RT SAKT1 | Version | |
| Order No. | 0335500000 | Mounting screw (Terminal), 3.00 mm, Steel, Brass, Depth: 28.7 mm, | |
| GTIN (EAN) | 4008190118877 | Width: 5.5 mm, Height: 5.5 mm | |
| Qty. | 50 ST | | |

SAKT 1/LT

Weidmüller Interface GmbH & Co. KG

Klingenbergstraße 26

D-32758 Detmold

Germany

www.weidmueller.com

Accessories

| | | |
|------------|----------------------------|---|
| Type | BS 25 IH/GE SAKT1 | Version |
| Order No. | 0335700000 | Mounting screw (Terminal), 3.00 mm, Steel, Brass, Depth: 28.7 mm, |
| GTIN (EAN) | 4008190189235 | Width: 5.5 mm, Height: 5.5 mm |
| Qty. | 50 ST | |
| Type | KISC M3X20 SAK10 CU5 | Version |
| Order No. | 0377100000 | SAK Series, Mounting screw, Copper |
| GTIN (EAN) | 4008190060350 | |
| Qty. | 100 ST | |

Testadapter and testsockets



Test adapters and test plugs are used for the electrical connection between terminal blocks and the test equipment. In this way, an electrical contact can be established in the wired state and measurements can be done easily.

General ordering data

| | | |
|------------|----------------------------|--------------------------------|
| Type | PS 4 F.STB 4 | Version |
| Order No. | 0299600000 | Test adapter (terminal), 230 V |
| GTIN (EAN) | 4008190074043 | |
| Qty. | 20 ST | |

Cross-connections



The distribution or multiplication of a potential to adjoining terminal blocks is realized via a cross-connection. Additional wiring effort can be easily avoided. Even if the poles are broken out, contact reliability in the terminal blocks is still ensured. Our portfolio offers pluggable and screwable cross-connection systems for modular terminal blocks.

General ordering data

| | | |
|------------|----------------------------|---|
| Type | VH 12/4.9/3.3 | Version |
| Order No. | 0249000000 | Connecting sleeve (terminal), when screwed in, Width: 4.9 mm, |
| GTIN (EAN) | 4008190129507 | Height: 4.9 mm, Depth: 12 mm, Number of poles: 1, Copper |
| Qty. | 100 ST | |
| Type | VH 19/6.3/4.3 | Version |
| Order No. | 0318000000 | Connecting sleeve (terminal), when screwed in, Width: 6 mm, Height: |
| GTIN (EAN) | 4008190059460 | 6 mm, Depth: 19 mm, Number of poles: 1, Cu Zn |
| Qty. | 50 ST | |

SAKT 1/LT

Weidmüller Interface GmbH & Co. KG

Klingenbergstraße 26

D-32758 Detmold

Germany

www.weidmueller.com

Accessories

Disconnect plugs



In contrast to the terminal blocks with integrated disconnect lever, our disconnect plugs can be completely detached or removed from the terminal block and the respective application and offer a flexible alternative solution to our standard disconnectors.

General ordering data

| | | | |
|------------|----------------------------|-----------------------------------|--|
| Type | SSP 3 SAKT1 | Version | |
| Order No. | 0531760000 | Lockout device (terminal), orange | |
| GTIN (EAN) | 4008190130787 | | |
| Qty. | 100 ST | | |

Cross-connections



The distribution or multiplication of a potential to adjoining terminal blocks is realized via a cross-connection. Additional wiring effort can be easily avoided. Even if the poles are broken out, contact reliability in the terminal blocks is still ensured. Our portfolio offers pluggable and screwable cross-connection systems for modular terminal blocks.

General ordering data

| | | | |
|------------|----------------------------|---|--|
| Type | QS 2/8/4 | Version | |
| Order No. | 0270960000 | Cross-connector (terminal), Plugged, beige, 44 A, Number of poles: 2, | |
| GTIN (EAN) | 4008190077006 | Pitch in mm (P): 8.00, Insulated: Yes, Width: 12 mm | |
| Qty. | 20 ST | | |

Custom printing



The Dekafix (DEK) marker is the universal marker for all conductor and plug-in connectors as well as for electronic sub-assemblies. The system is ideal for short number sequences and covers a wide range of ready-printed markers.

Strips for fast installation in only one work step. The printing is easy to read, rich in contrast and available in various widths.

- Large range of ready-to-use markers
 - Strips for fast installation
 - Terminal markers, suitable for all Weidmüller cable connectors
 - Available as blank MultiCard or with standard printing
- For custom printing: Please send us a file of our labeling software M-Print PRO or M-Print PRO Online (without installation) for your labeling specifications.

SAKT 1/LT

Weidmüller Interface GmbH & Co. KG

Klingenbergstraße 26

D-32758 Detmold

Germany

www.weidmueller.com

Accessories

General ordering data

| | | | |
|------------|----------------------------|---|--|
| Type | DEK 5/6.5 MC SDR | Version | |
| Order No. | 1609850000 | Dekafix, Terminal marker, 5 x 6.5 mm, Pitch in mm (P): 6.50 | |
| GTIN (EAN) | 4008190456610 | Weidmueller, To customer specification | |
| Qty. | 180 ST | | |

Blank



The Dekafix (DEK) marker is the universal marker for all conductor and plug-in connectors as well as for electronic sub-assemblies. The system is ideal for short number sequences and covers a wide range of ready-printed markers.

Strips for fast installation in only one work step. The printing is easy to read, rich in contrast and available in various widths.

- Large range of ready-to-use markers
 - Strips for fast installation
 - Terminal markers, suitable for all Weidmüller cable connectors
 - Available as blank MultiCard or with standard printing
- For custom printing: Please send us a file of our labeling software M-Print PRO or M-Print PRO Online (without installation) for your labeling specifications.

General ordering data

| | | | |
|------------|----------------------------|---|--|
| Type | DEK 5/6.5 MC NE WS | Version | |
| Order No. | 1609840000 | Dekafix, Terminal marker, 5 x 6.5 mm, Pitch in mm (P): 6.50 | |
| GTIN (EAN) | 4008190203429 | Weidmueller, white | |
| Qty. | 900 ST | | |

Marker holder



The marker holder offer the possibility of additional mounting of standard markers with a pitch of 5 or 5.1 mm. The angled holders can be optionally snapped together and could be mounted in all standard marking channels of the Klippon® Connect modular terminal blocks. Fitting marker types could be found under the respective accessories of the designation marking holder.

General ordering data

| | | | |
|------------|----------------------------|----------------------------|--|
| Type | BZT 1 WS 10/5 | Version | |
| Order No. | 1805490000 | Accessories, Marker holder | |
| GTIN (EAN) | 4032248270231 | | |
| Qty. | 100 ST | | |
| Type | BZT 1 ZA WS 10/5 | Version | |
| Order No. | 1805520000 | Accessories, Marker holder | |
| GTIN (EAN) | 4032248270248 | | |
| Qty. | 100 ST | | |