

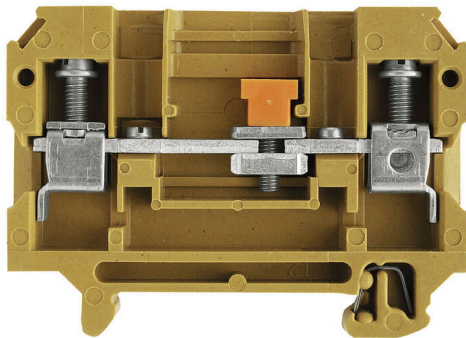
SAKT 1/35/LT**Weidmüller Interface GmbH & Co. KG**

Klingenbergstraße 26

D-32758 Detmold

Germany

www.weidmueller.com

Product image

In some applications it makes sense to add a test point or a disconnect element to the feed through terminal for testing and safety purposes. With test disconnect terminals you measure electric circuits in the absence of voltage. While the disconnecting points clearance and creepage distance is not assessed in dimensional terms, the specified rated impulse voltage strength must be proven.

General ordering data

Version	Test-disconnect terminal, Screw connection, medium yellow, 6 mm ² , 41 A, 400 V, Number of connections: 2, Number of levels: 1
Order No.	0105420000
Type	SAKT 1/35/LT
GTIN (EAN)	4008190014056
Qty.	50 items
Delivery status	Discontinued
Available until	2022-12-31T00:00:00+01:00
Alternative product	WTTB 6

SAKT 1/35/LT

Weidmüller Interface GmbH & Co. KG

Klingenbergstraße 26

D-32758 Detmold

Germany

www.weidmueller.com

Technical data

Approvals

Approvals



ROHS Conform

UL File Number Search [UL Website](#)

Certificate No. (UR) E60693

Dimensions and weights

Depth	52.5 mm	Depth (inches)	2.0669 inch
Height	65 mm	Height (inches)	2.5591 inch
Width	8 mm	Width (inches)	0.315 inch
Net weight	26.7 g		

Temperatures

Storage temperature	-25 °C...55 °C	Ambient temperature	-5 °C...40 °C
Continuous operating temp., min.	-60 °C	Continuous operating temp., max.	130 °C

Environmental Product Compliance

RoHS Compliance Status	Compliant
REACH SVHC	No SVHC above 0.1 wt%

Material data

Basic material	KrG	Colour	medium yellow
UL 94 flammability rating	V-0, 5VA		

System specifications

Version	Screw connection, Special terminal longitudinal isolator, for screwable cross-connection, One end without connector	End cover plate required	Yes
Number of potentials	1	Number of levels	1
Number of clamping points per level	2	Number of potentials per tier	1
Levels cross-connected internally	No	PE connection	No
Mounting rail	TS 35	N-function	No
PE function	No	PEN function	No

Additional technical data

Open sides	right	Number of similar terminals	1
Installation advice	Direct mounting	Explosion-tested version	No
Type of mounting	Snap-on		

CSA rating data

Wire cross section max. (CSA)	8 AWG	Voltage size C (CSA)	300 V
Current size C (CSA)	25 A	Certificate No. (CSA)	12400-198
Wire cross section min. (CSA)	26 AWG		

SAKT 1/35/LT

Weidmüller Interface GmbH & Co. KG

Klingenbergstraße 26
D-32758 Detmold
Germany

www.weidmueller.com

Technical data

Conductors for clamping (additional connection)

Conductor cross-section, flexible plus plastic collar DIN 46228/1, further connection, max. 6 mm²

Conductors for clamping (rated connection)

Gauge to IEC 60947-1	A5	Wire connection cross section AWG, max.	AWG 8
Connection direction	on side	Stripping length	12 mm
Type of connection	Screw connection	Number of connections	2
Clamping range, max.	10 mm ²	Clamping range, min.	0.13 mm ²
Clamping screw	M 3.5	Blade size	4.0 x 0.8 mm
Wire connection cross section AWG, min.	AWG 26	Wire connection cross-section, finely stranded with wire-end ferrules DIN 46228/1, max.	6 mm ²
Wire connection cross-section, finely stranded with wire-end ferrules DIN 46228/1, min.	0.5 mm ²	Wire connection cross section, finely stranded, max.	6 mm ²
Wire connection cross section, finely stranded, min.	0.5 mm ²	Connection cross-section, stranded, max.	10 mm ²
Connection cross-section, stranded, min. 1.5 mm ²		Torque level with DMS electric screwdriver	3
Wire connection cross-section, solid core, max.	10 mm ²	Wire connection cross-section, solid core, min.	0.5 mm ²

General

Wire connection cross section AWG, max.	AWG 8	Installation advice	Direct mounting
Wire connection cross section AWG, min.	AWG 26	Standards	IEC 60947-7-1
Mounting rail	TS 35		

Rating data

Rated cross-section	6 mm ²	Rated voltage	400 V
Rated DC voltage	400 V	Nominal current	41 A
Current at maximum wires	57 A	Standards	IEC 60947-7-1
Volume resistance according to IEC 60947-7-x	0.78 mΩ	Rated impulse withstand voltage	6 kV
Power loss in accordance with IEC 60947-7-x	1.31 W	Pollution severity	3

UL rating data

Conductor size Factory wiring max. (UR)	8 AWG	Current size C (UR)	25 A
Voltage size C (UR)	300 V	Conductor size Factory wiring min. (UR)	26 AWG
Certificate No. (UR)	E60693	Conductor size Field wiring min. (UR)	22 AWG
Conductor size Field wiring max. (UR)	8 AWG		

Classifications

ETIM 8.0	EC000902	ETIM 9.0	EC000902
ETIM 10.0	EC000902	ECLASS 14.0	27-25-01-09
ECLASS 15.0	27-25-01-09		

SAKT 1/35/LT

Weidmüller Interface GmbH & Co. KG
 Klingenbergstraße 26
 D-32758 Detmold
 Germany

www.weidmueller.com

Accessories

Disconnect plugs



In contrast to the terminal blocks with integrated disconnect lever, our disconnect plugs can be completely detached or removed from the terminal block and the respective application and offer a flexible alternative solution to our standard disconnectors.

General ordering data

Type	QL 2 SAK6N	Version
Order No.	0194300000	Cross-connector (terminal), when screwed in, grey, 41 A, Number of
GTIN (EAN)	4008190182854	poles: 2, Pitch in mm (P): 7.90, Insulated: No, Width: 13.9 mm
Qty.	50 ST	

Cross-connections



The distribution or multiplication of a potential to adjoining terminal blocks is realized via a cross-connection. Additional wiring effort can be easily avoided. Even if the poles are broken out, contact reliability in the terminal blocks is still ensured. Our portfolio offers pluggable and screwable cross-connection systems for modular terminal blocks.

General ordering data

Type	QL 3 SAK6N	Version
Order No.	0194400000	Cross-connector (terminal), when screwed in, grey, 41 A, Number of
GTIN (EAN)	4008190063351	poles: 3, Pitch in mm (P): 7.90, Insulated: No, Width: 21.8 mm
Qty.	50 ST	
Type	QL 4 SAK6N	Version
Order No.	0194500000	Cross-connector (terminal), when screwed in, grey, 57 A, Number of
GTIN (EAN)	4008190025601	poles: 4, Pitch in mm (P): 7.90, Insulated: No, Width: 29.7 mm
Qty.	50 ST	
Type	QL 10 SAK6N	Version
Order No.	0338300000	Cross-connector (terminal), when screwed in, grey, 41 A, Number of
GTIN (EAN)	4008190176679	poles: 10, Pitch in mm (P): 7.90, Insulated: No, Width: 77.1 mm
Qty.	20 ST	
Type	QL 15 SAK6N	Version
Order No.	0221200000	Cross-connector (terminal), when screwed in, grey, 32 A, Number of
GTIN (EAN)	4008190042110	poles: 15, Pitch in mm (P): 7.90, Insulated: No, Width: 116.6 mm
Qty.	10 ST	

SAKT 1/35/LT

Weidmüller Interface GmbH & Co. KG
 Klingenbergstraße 26
 D-32758 Detmold
 Germany

www.weidmueller.com

Accessories

End plates and partition plates



Partition plates and end plates are essential accessories for terminal blocks. Partition plates provide optical and electrical separation of different potentials and functional groups, increasing safety and ensuring a clear structure inside the control cabinet. End plates close the terminal block row on the sides, protect against contact with live parts, and ensure a clean, stable finish. Both components are precisely matched to the respective Weidmüller terminal block series, contributing to safe, compliant, and professional wiring.

General ordering data

Type	AP SAKB/C/T KRГ	Version
Order No.	0146720000	End plate for terminals, dark beige, yellow, Height: 65 mm, Width: 3 mm, V-0, KrG, Snap-on: Yes
GTIN (EAN)	4008190027995	
Qty.	20 ST	
Type	TW AST1/PA HP/DBR/0.5	Version
Order No.	0474700000	Partition plate (terminal), dark brown, Height: 65 mm, Width: 0.5 mm, V-2
GTIN (EAN)	4008190078508	
Qty.	20 ST	
Type	TW SAKB/C/T1	Version
Order No.	0242960000	Partition plate (terminal), beige, Height: 75 mm, Width: 1.5 mm, V-2, KrG
GTIN (EAN)	4008190104092	
Qty.	20 ST	
Type	TSCH 2	Version
Order No.	0353660000	Small partition (terminal), PA 66, beige, Continuous operating temp., max.: 100 °C
GTIN (EAN)	4008190128432	
Qty.	100 ST	

Accessorie



Current and voltage transformer wiring
 Our test disconnect terminal blocks featuring spring and screw connection technology allow you to create all the important converter circuits for measuring current, voltage and power in a safe and sophisticated way.

General ordering data

Type	QVS 2 SAKT1+2	Version
Order No.	0307300000	Cross-connector (terminal), when screwed in, beige, 41 A, Number of poles: 2, Pitch in mm (P): 12.00, Insulated: Yes, Width: 15.4 mm
GTIN (EAN)	4008190036140	
Qty.	20 ST	
Type	QVS 3 SAKT1+2	Version
Order No.	0329300000	Cross-connector (terminal), when screwed in, beige, 41 A, Number of poles: 3, Pitch in mm (P): 12.00, Insulated: Yes, Width: 22 mm
GTIN (EAN)	4008190084714	
Qty.	20 ST	

SAKT 1/35/LT

Weidmüller Interface GmbH & Co. KG

Klingenbergstraße 26

D-32758 Detmold

Germany

www.weidmueller.com

Accessories

Cross-connections



The distribution or multiplication of a potential to adjoining terminal blocks is realized via a cross-connection. Additional wiring effort can be easily avoided. Even if the poles are broken out, contact reliability in the terminal blocks is still ensured. Our portfolio offers pluggable and screwable cross-connection systems for modular terminal blocks.

General ordering data

Type	QVSK 2 SAKT1	Version	
Order No.	1670360000	Cross-connector (terminal), when screwed in, beige, 57 A, Number of poles: 2, Pitch in mm (P): 12.00, Insulated: Yes, Width: 15.4 mm	
GTIN (EAN)	4008190431242		
Qty.	20 ST		

Testadapter and testsockets

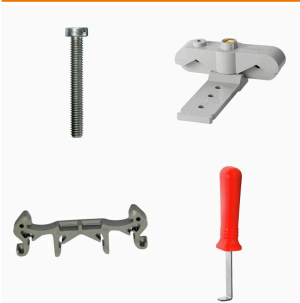


Test adapters and test plugs are used for the electrical connection between terminal blocks and the test equipment. In this way, an electrical contact can be established in the wired state and measurements can be done easily.

General ordering data

Type	PS 4 F.STB 4	Version	
Order No.	0299600000	Test adapter (terminal), 230 V	
GTIN (EAN)	4008190074043		
Qty.	20 ST		

Mounting support



We offer a broad portfolio of mounting support for easy handling and supplementation of our products. From various tools to insulating sleeves and various screws, our components are matched to each other down to the last detail and thus facilitate assembly in compliance with the respective standards and protective regulations.

General ordering data

Type	KISC M3X20 SAK10 CU5	Version	
Order No.	0377100000	SAK Series, Mounting screw, Copper	
GTIN (EAN)	4008190060350		
Qty.	100 ST		

SAKT 1/35/LT

Weidmüller Interface GmbH & Co. KG
 Klingenbergstraße 26
 D-32758 Detmold
 Germany

Accessories

www.weidmueller.com

Disconnect plugs



In contrast to the terminal blocks with integrated disconnect lever, our disconnect plugs can be completely detached or removed from the terminal block and the respective application and offer a flexible alternative solution to our standard disconnectors.

General ordering data

Type	SSP 3 SAKT1	Version	
Order No.	0531760000	Lockout device (terminal), orange	
GTIN (EAN)	4008190130787		
Qty.	100 ST		

Cross-connections



The distribution or multiplication of a potential to adjoining terminal blocks is realized via a cross-connection. Additional wiring effort can be easily avoided. Even if the poles are broken out, contact reliability in the terminal blocks is still ensured. Our portfolio offers pluggable and screwable cross-connection systems for modular terminal blocks.

General ordering data

Type	QS 2/8/4	Version	
Order No.	0270960000	Cross-connector (terminal), Plugged, beige, 44 A, Number of poles: 2,	
GTIN (EAN)	4008190077006	Pitch in mm (P): 8.00, Insulated: Yes, Width: 12 mm	
Qty.	20 ST		
Type	VH 12/4.9/3.3	Version	
Order No.	0249000000	Connecting sleeve (terminal), when screwed in, Width: 4.9 mm,	
GTIN (EAN)	4008190129507	Height: 4.9 mm, Depth: 12 mm, Number of poles: 1, Copper	
Qty.	100 ST		
Type	VH 19/6.3/4.3	Version	
Order No.	0318000000	Connecting sleeve (terminal), when screwed in, Width: 6 mm, Height:	
GTIN (EAN)	4008190059460	6 mm, Depth: 19 mm, Number of poles: 1, Cu Zn	
Qty.	50 ST		

Accessories

Custom printing



The Dekafix (DEK) marker is the universal marker for all conductor and plug-in connectors as well as for electronic sub-assemblies. The system is ideal for short number sequences and covers a wide range of ready-printed markers.

Strips for fast installation in only one work step. The printing is easy to read, rich in contrast and available in various widths.

- Large range of ready-to-use markers
 - Strips for fast installation
 - Terminal markers, suitable for all Weidmüller cable connectors
 - Available as blank MultiCard or with standard printing
- For custom printing: Please send us a file of our labeling software M-Print PRO or M-Print PRO Online (without installation) for your labeling specifications.

General ordering data

Type	DEK 5/6.5 MC SDR	Version	
Order No.	1609850000		Dekafix, Terminal marker, 5 x 6.5 mm, Pitch in mm (P): 6.50
GTIN (EAN)	4008190456610		Weidmueller, To customer specification
Qty.	180 ST		

Blank



The Dekafix (DEK) marker is the universal marker for all conductor and plug-in connectors as well as for electronic sub-assemblies. The system is ideal for short number sequences and covers a wide range of ready-printed markers.

Strips for fast installation in only one work step. The printing is easy to read, rich in contrast and available in various widths.

- Large range of ready-to-use markers
 - Strips for fast installation
 - Terminal markers, suitable for all Weidmüller cable connectors
 - Available as blank MultiCard or with standard printing
- For custom printing: Please send us a file of our labeling software M-Print PRO or M-Print PRO Online (without installation) for your labeling specifications.

General ordering data

Type	DEK 5/6.5 MC NE WS	Version	
Order No.	1609840000		Dekafix, Terminal marker, 5 x 6.5 mm, Pitch in mm (P): 6.50
GTIN (EAN)	4008190203429		Weidmueller, white
Qty.	900 ST		

Accessories**Marker holder**

The marker holder offer the possibility of additional mounting of standard markers with a pitch of 5 or 5.1 mm. The angled holders can be optionally snapped together and could be mounted in all standard marking channels of the Klippon® Connect modular terminal blocks. Fitting marker types could be found under the respective accessories of the designation marking holder.

General ordering data

Type	BZT 1 WS 10/5	Version
Order No.	1805490000	Accessories, Marker holder
GTIN (EAN)	4032248270231	
Qty.	100 ST	
Type	BZT 1 ZA WS 10/5	Version
Order No.	1805520000	Accessories, Marker holder
GTIN (EAN)	4032248270248	
Qty.	100 ST	